

ISOtunes<sup>®</sup> **SPORT**

DEFY

TACTICAL HEARING PROTECTOR

with  **Bluetooth<sup>®</sup>**



# Table of Contents

## English (EN)

Fitting.....	3
Location of Controls.....	5
TSC Technology.....	6
Charging.....	7
Batteries.....	9
Power On/Off.....	10
Bluetooth Pairing.....	11
Dual Connection Mode.....	12
Pairing Reset.....	12
Music.....	13
Phone Calls.....	14
Siri/Google Assistant.....	14
Legalities.....	15

## Español (ES)

Adecuado.....	19
Ubicación de los Controles.....	21
Tecnología TSC.....	22
Recarga.....	23
Baterías.....	25
Encender/Apagar.....	26
Emparejamiento con Bluetooth.....	27
Modo de Conexión Dual.....	28
Restablecimiento del Emparejamiento.....	28
Música.....	29
Llamadas Telefónicas.....	30
Asistente Siri / Google.....	30
Legalidades.....	31

## Français (FR)

Raccord.....	35
Lieu des contrôles.....	37
Technologie TSC.....	38
Chargement.....	39
Batteries.....	41
Mise sous/hors tension.....	42
Couplage Bluetooth.....	43
Mode de connexion double.....	44
Réinitialisation du couplage.....	44
Musique.....	45
Appels téléphoniques.....	46
Siri/Google Assistant.....	46
Légalités.....	47

## Deutsche (DE)

Anpassung.....	51
Position der Bedienelemente.....	53
TSC Technologie.....	54

Laden.....	55
Batterien.....	57
Ein-/Ausschalten.....	58
Bluetooth-Kopplung.....	59
Dual-Verbindungsmodus.....	60
Kopplung zurücksetzen.....	60
Musik.....	61
Anrufe.....	62
Siri/Google Assistant.....	62
Legalitäten.....	63

## Italiano (IT)

Fissaggio.....	67
Posizione dei comandi.....	69
Tecnologia TSC.....	70
Caricamento.....	71
Batterie.....	73
Accensione/Spegnimento.....	74
Accoppiamento Bluetooth.....	75
Modalità Dual Connect.....	76
Ripristino dell'abbinamento.....	76
Musica.....	77
Chiamate.....	78
Siri / Assistente Google.....	78
Aspetti Legali.....	79

## Svenska (SV)

Passform.....	83
Kontrollernas placeringar.....	85
TSC -Teknologi.....	86
Laddning.....	87
Batterier.....	89
Power On/Off.....	90
Bluetooth-parring.....	91
Dubbelt anslutningsläge.....	92
Parring återställ.....	92
Musik.....	93
Samtal.....	94
Siri / Google Assistant.....	94
Laglighet.....	95

## Dansk (DA)

Montering.....	99
Placering af kontrolfunktioner.....	101
TSC Teknologi.....	102
Opladning.....	103
Batterier.....	105
Power On/Off.....	106
Bluetooth-Parring.....	107
Dual Connect Mode.....	108

Parring Reset.....	108
Musik.....	109
Opringning.....	110
Siri / Google Assistant.....	110
Legaliteter.....	111

## Suomen kieli (FI)

Asennus.....	115
Säätöjen sijainti.....	117
TSC -Tekniikka.....	118
Lataus.....	119
Akut.....	121
Virta päällä/pois päältä.....	122
Bluetooth-paritus.....	123
Kaksoiskytkentätila.....	124
Parinmuodostuksen nollaus.....	124
Musiikki.....	125
Puhelut.....	126
Siri / Google Assistant.....	126
Laillisuus.....	127

## Nederlands (NL)

Gebruik.....	131
Locatie van bedieningselementen.....	133
TSC Technologie.....	134
Opladen.....	135
Batterijen.....	137
Voeding On/Off.....	138
Bluetooth-koppeling.....	139
Dubbele verbindingsmodus.....	140
Koppelen Reset.....	140
Muziek.....	141
Telefoongesprekken.....	142
Siri / Google Assistant.....	142
Wettigheid.....	143

## Norsk (NO)

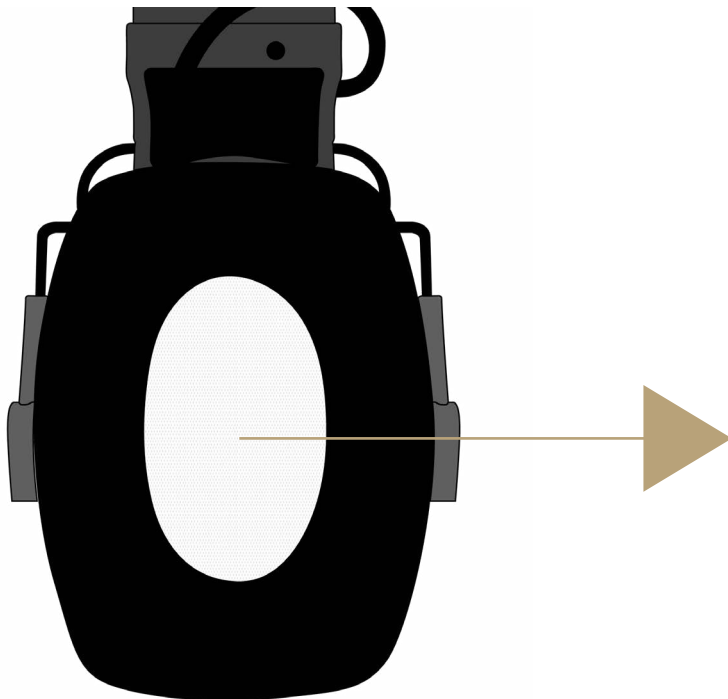
Montering.....	147
Bruk av kontroller.....	149
TSC -Teknologi.....	150
Lader.....	151
Batterier.....	153
Strøm på / av.....	154
Bluetooth-paring.....	155
Dobbel paringsmodus.....	156
Tilbakestilling av parring.....	156
Musikk.....	157
Telefonsamtaler.....	158
Siri / Google Assistant.....	158
Lovligheter.....	159

# Fitting

The headset is labeled and adjustable for your convenience.

1

Remove the white foam padding from each earcup.



2

Check the earcups for Right and Left labels.



# Fitting

The headset is labeled and adjustable for your convenience.

3

Adjust the earcups, headband, and wires for a snug but comfortable fit.



4

Make sure the earcup labels correspond to the sides of your head and place on your ears.





# Location of Controls

1. Music Volume Up
2. Music Volume Down
3. Tactical Sound Control Up
4. Tactical Sound Control Down
5. Multi-Function Button (MFB)
6. Bluetooth Mic
7. Charge Port
8. LED Charging Indicator
9. Battery Cover Latch



# Tactical Sound Control™ Technology

This product includes TSC Technology - Tactical Sound Control™. This is a microphone technology that allows the user to hear the world around them, but always at a safe listening level. When ambient noise breaches a safe listening level, the microphone technology immediately responds and attenuates to a safe level.

This feature automatically turns on when the product turns on. Adjusting the TSC volume is easy. Simply press the TSC Volume Up **(3)** and Down Button **(4)**.



# Charging

The Lithium Battery Pack comes fully installed. Please make sure the Battery Pack Cable is plugged in to the Battery Pack Port (2).

The Lithium Battery Pack holds a 14+ hour charge.

1

Slide the Battery Cover Latch (9) “up” towards the headband to release the Battery Cover.



2

When using the Lithium Pack, always make sure the Battery Pack’s cable is plugged into the Battery Pack Port in the battery compartment (please note, the battery comes fully installed).



# Charging

The headset can be powered by the included rechargeable Lithium Battery Pack. The Lithium Battery Pack holds a 14+ hour charge.

3

Please charge with the included cable by plugging it into the Charging Port (7).



*\*Charging voltage should not exceed 5v.*



4

While the cable is plugged into the Charging Port (7), LED Charging Indicators (8) will let you know how charged the Lithium Battery is.

## LED Charging Indicators

-  Solid Red = Charging (Cable Plugged In)
-  Solid Green = Fully Charged (Cable Plugged In)

# Batteries

The headset can also be powered by 3 AAA Batteries (not included).  
3 AAA Batteries hold a 24+ hour charge and will need to be replaced.

1

Slide the Battery Cover Latch (9)  
“up” towards the headband to  
release the Battery Cover.



2

Remove the Lithium Battery Pack and  
place your 3 AAA Batteries. When using  
AAA batteries, please ensure you have  
properly oriented the batteries.



# Power On/Off

**Power On:** Press and hold MFB (5) for 3 seconds  
(you will hear "Power On")

**Power Off:** Press and hold MFB (5) for 3 seconds  
(you will hear "Power Off")

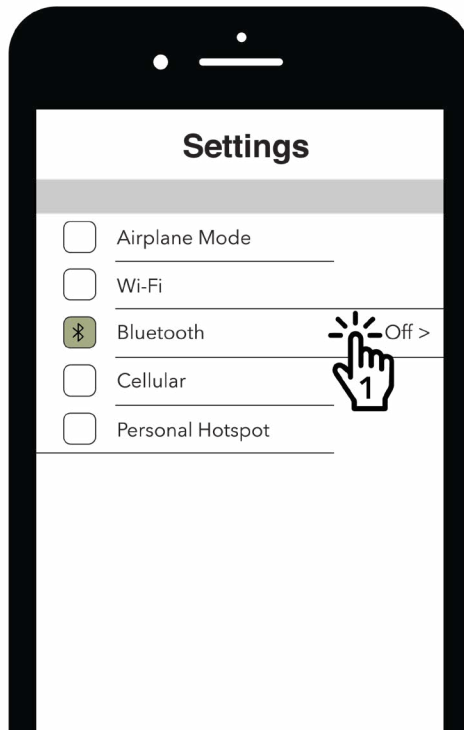


# Bluetooth Pairing

After powering on, the headphones will automatically enter Pairing Mode.  
(you will hear “Bluetooth Pairing Mode”)

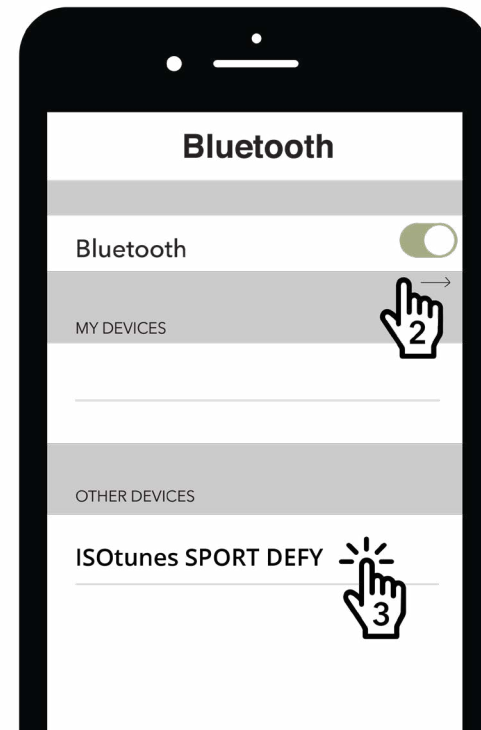
1

Open your Bluetooth settings on your device.



2

Search “ISOtunes Sport DEFY.”  
Pair and connect.  
Once connected you will hear “Bluetooth Connected.”



# Dual Connect Mode

This product can connect to two devices at the same time such as your phone and your computer.

1. Pair and Connect to your first device as described in Bluetooth Pairing. This will be device A.
2. Press and Hold the MFB **(5)** for 7 seconds until you hear “Bluetooth Pairing Mode” (you will hear Power Off, keep holding the button until you hear “Bluetooth Pairing Mode”)
3. Pair and Connect to the 2nd device as described in Bluetooth Pairing. This will be device B.
4. On Device A, go to the Bluetooth menu and manually connect to ISOtunes Sport DEFY.
5. Both devices are now connected.

## Pairing Reset

Press and Hold the Volume Up **(1)** and the Volume Down **(2)** for 4 seconds.

The product will enter pairing mode.



# Music

**Play/Pause:** Short single press MFB (5)

**Next Track:** Double press MFB (5)

**Previous Track:** Triple press MFB (5)

**Music Volume Up:** Short single press Volume Up (1)

**Music Volume Down:** Short single press Volume Down (2)

**TSC Volume Up:** Short single press Volume Up (3)

**TSC Volume Down:** Short single press Volume Down (4)



# Phone Calls

**Answer/End Call:** Short single press MFB (5)

**Reject Call:** Press and hold MFB (5) for 1 second

## Siri / Google Assistant

Press and hold MFB (5) for 1 second



## Fitting



### ANSI S3.19-1974 Table (NRR Table)

A1: Frequency, Hz	125	250	500	1000	2000	3150	4000	6300	8000	NRR
A2: Grand Mean Attenuation, dB	19.9	22.3	27.8	30.8	38.8	44.3	50.0	46.3	42.4	<b>25</b>
A3: Standard Deviation, dB	3.7	2.9	2.4	2.3	3.8	3.9	3.8	3.1	4.3	

### EN 352-1:2002 Table (SNR Table)

B1: Frequency (Hz)	125	250	500	1000	2000	4000	8000
B2: Mf (dB)	17.5	21.4	26.6	29.3	37.6	46.4	39.6
B3: sf (dB)	4.5	2.5	2.6	2.3	3.7	4.6	6.8
B4: APVf	13.0	18.9	24.0	27.0	33.9	41.8	32.8

B5: SNR=30dB    H=34dB    M=27dB    L=21dB    APVf=MF-SF (dB)

## Important

Please read, understand, and follow all safety information.

Full manual can be found at [ISOTunes.com/DEFYManual](http://ISOTunes.com/DEFYManual)

## Fitting

1. Remove white foam inserts from each earcup
2. Pull the earcups apart
3. Place the product on your head
4. Adjust the earcup position by extending the headband to ensure a good fit around the ears

## Introduction

Thank you for purchasing ISOTunes® Sport DEFY Professional Noise Isolating Earmuffs. These earmuffs have been specifically designed for use in noisy environments – allowing you to block out much of the surrounding noise so that you can listen to your music or talk on the phone with less interruption. This product has been tested and meets the European Safety Standard EN352-1:2002 and the ANSI & NIOSH standards for a hearing protector, with a Single Number Rating (SNR) of 30 dB with a Noise Reduction Rating (NRR) of 25 dB. Full testing details are available in the Noise Attenuation section of this booklet.

## Noise Attenuation APPROVAL

ISOTunes® Sport DEFY is tested and approved in accordance with ANSI S3.19-1974 Specifications and the European Safety Standard EN 352-1:2002.

## ANSI S3.19-1974

The level of noise entering a person's ear, when ISOTunes® Sport DEFY headphones are worn as directed, is closely approximated by the difference between the A-weighted environmental noise level and the Noise Reduction Rating (NRR). Improper fit of this device will reduce its effectiveness in attenuating noise. Consult the enclosed instructions for proper fitting.

- A1: Frequency (Hz)
- A2: Mean Attenuation (dB)
- A3: Standard Deviation (dB)

Example:

1. The surrounding noise level measured at the ear is 100 dB.
2. The NRR of ISOTunes® Sport DEFY is 25 dB.
3. The noise level entering the ear is approximately equal to 75dB.

Please note that the NRR is based on the attenuation of continuous noise and may not be an accurate indicator of the protection attainable against impulsive noise, such as gunfire.

## EN 352

B1: Frequency (Hz)

B2: Mean Attenuation (dB)

B3: Standard Deviation (dB)

B4: Assumed Protection Value (APV) (dB)

B5:

H = Hearing protection estimation for high frequency sounds  
( $f \geq 2000\text{Hz}$ )

M = Hearing protection estimation for medium frequency sounds  
( $500\text{ Hz} < f < 2000\text{Hz}$ )

L = Hearing protection estimation for low frequency sounds  
( $f \leq 500\text{Hz}$ )

## SafeMax™ Technology

ISOtunes® Sport DEFY incorporates SafeMax™ Technology, therefore its volume output has been limited to 85 decibels. IStunes® devices with SafeMax™ Technology are OSHA, NIOSH, and ANSI compliant and, when designated, meet the European Safety Standard EN352.

## Tactical Sound Control™ Technology

This product includes TSC - Tactical Sound Control. This is a microphone technology that allows the user to hear the world around them, but always at a safe listening level. When ambient noise breaches a safe listening level, the microphone technology immediately responds and attenuates to a safe level.

This feature automatically turns on when the product turns on. Adjusting the TSC volume is easy. Simply press the TSC Volume Up and Down Button.

## Cleaning and Maintenance

- Clean your IStunes Sport DEFY by gently wiping them with a clean, damp cloth with mild soap.
- Do not immerse the hearing protector in water.
- Do not use abrasive cleaning solvents to clean the hearing protector.

If the hearing protector gets wet from sweat or rain, please discontinue use and turn the earmuff outwards and allow to dry.

The ear cushions and foam liners should be regularly inspected for deterioration, cracking, or other damage.

## Materials

- Ear Cushion: PU + Memory Foam
- Casing: ABS
- Key Pad: Silicon
- Headband: Stainless Steel + TPE
- Headband Bracket: ABS

This product comes with a Lithium Battery Pack. The Battery Pack can be recharged by plugging the one end of the included cable into a USB outlet and the other end into the product's charging port located underneath the rubber cover on the bottom of the left earcup.

The batteries can be checked by removing the battery cover. Slide the latch to release the door.

The lithium battery pack can be removed from the product and replaced. Lift the battery out. Unplug the battery pack cable. To reinstall, put the battery pack into the compartment and plug in the Battery pack cable into the battery pack port. Ensure the battery pack cable is plugged into the battery pack cable port for proper product performance.

Alternatively, three AAA batteries can power the device. Completely remove the Lithium Battery Pack from the product and install the AAA batteries as indicated on the product. Do not attempt to use the Lithium Battery Pack and AAA batteries at the same time.

## Automatic Power Off

ISOtunes® Sport DEFY will turn off automatically after 4 hours of use.

## WARNINGS

ISOtunes® Sport DEFY does an excellent job of blocking outside noise. As such, IStunes® Sport DEFY should NOT be used in environments where users need to be fully aware of their surroundings for personal safety reasons. For example, do NOT use them while driving a car or riding a motorcycle. Similarly, do NOT use them when riding a bicycle outside. The user is solely responsible for ensuring that IStunes® Sport DEFY is used ONLY in safe environments.

These earmuffs are intended to protect your ears against hazard noise.

The audibility of warning signals at a specific workplace may be impaired while using the entertainment facility.

This product may be adversely affected by certain chemical substances, such as sunscreen and bug spray. Further information may be sought from the manufacturer.

The fitting of hygiene covers to the cushions may affect the acoustic performance of the ear-muffs.

## Recommendations

The wearer should ensure the product is properly cleaned and dry before and after use. Storage should be in a clean and dry location between -20 °C and 50 °C. The battery should not be fully discharged before long term storage.

The wearer should ensure that:

- The hearing protector is fitted, adjusted, and maintained in accordance with the manufacturer's instructions.
- The hearing protector is worn at all times in noisy surroundings.
- The hearing protector is regularly inspected for serviceability.

If these recommendations are not adhered to, the protection afforded by the hearing protector will be severely impaired.

The size range for the earmuff is S M L.

The mean mass of the product is 405g.

Date of Obsolescence: 3 years from purchase date.

Not to be used in Explosive Atmospheres.

## Additional Notes

ISOtunes® Sport DEFY is compliant with Bluetooth® V4.2. We do not guarantee compatibility of all functions on every Bluetooth®-enabled device. Please check your device's user manual for compatibility and functionality.

Please note, the hearing protector provides an entertainment audio facility. The ear-muff provides audio signal sound pressure level limitation which limits the entertainment audio signal to 85 dB(A) effective to the ear. This limit is maintained for bluetooth signal inputs which are standard to the Bluetooth A2DP, HFP, and HSP specifications. There is no analog line input on this product.

For additional information about IStunes® Sport DEFY, please visit [www.ISOtunes.com/DEFYManual](http://www.ISOtunes.com/DEFYManual). For additional information or questions about IStunes® products or spares and accessories, please contact our support team.

Replacement Parts: Hygiene Kit (ear-cushions and foam inserts)

Model Number: IT-83

## Replace ear-cushions:

1. Put your finger between the ear cushions and foam.
2. Pull the Foam Ear cushion away from the earcup.
3. Remove the foam inserts in the earcup.
4. Install the new foam inserts
5. Snap the new ear-cushion in place on the earcup

## FCC

Caution: The user is cautioned that changes or modifications not expressly approved by the party responsible for compliance could void the users' authority to operate the equipment.

Note: This equipment has been tested and found to comply with the

limits for a Class B digital device, pursuant to part 15 of the FCC Rules. These limits are designed to provide reasonable protection against harmful interference in a residential installation. This equipment generates, uses and can radiate radio frequency energy and, if not installed and used in accordance with the instructions, may cause harmful interference to radio communications. However, there is no guarantee that interference will not occur in a particular installation. If this equipment does cause harmful interference to radio or television reception, which can be determined by turning the equipment off and on, the user is encouraged to try to correct the interference by one or more of the following measures:

- Reorient or relocate the receiving antenna.
- Increase the separation between the equipment and receiver.
- Connect the equipment into an outlet on a circuit different from that to which the receiver is connected.
- Consult the dealer or an experienced radio/TV technician for help.

This equipment complies with FCC's RF radiation exposure limits set forth for an uncontrolled environment. End users must follow the specific operating instructions for satisfying RF exposure compliance. This transmitter must not be co-located or operating in conjunction with any other antenna or transmitter.

#### **UK & Europe**

uk-eurosupport@isotunesaudio.com

#### **North America**

support@isotunesaudio.com

1-844-396-3737

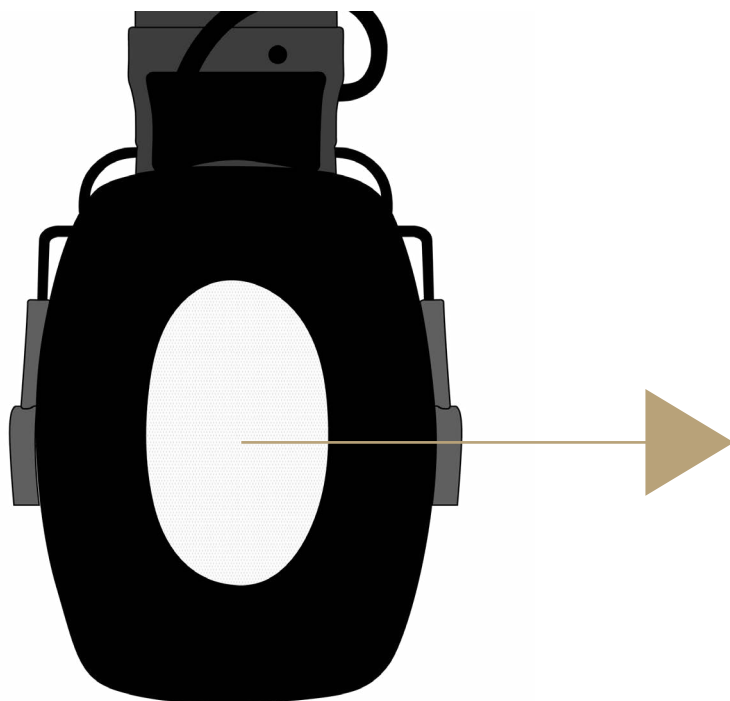
Monday-Friday 9-5 ET

# Adecuado

El auricular está etiquetado y es ajustable para su conveniencia.

1

Retire el relleno de espuma blanca de cada auricular.



2

Compruebe los auriculares para el derecho y etiquetas de la izquierda.



# Adecuado

El auricular está etiquetado y es ajustable para su conveniencia.

3

Ajuste los cascos, la diadema y los cables para un ajuste ceñido pero cómodo. y etiquetas de la izquierda.



4

Asegúrese de que las etiquetas de los cascos correspondan a los lados de su cabeza y colóquelas en sus oídos.





# Ubicación de los Controles

1. Subir Volumen del Música
2. Bajar Volumen del Música
3. Subir Volumen del TSC
4. Bajar Volumen del TSC
5. Botón Multifunción (BMF)
6. Micrófono Bluetooth
7. Puerto de Carga
8. Indicador de Carga LED
9. Pasador Tapa de la Batería



# Tecnología Tactical Sound Control™

Este producto incluye TSC - Tactical Sound Control (control de sonido táctico). Esta es una tecnología de micrófono que permite al usuario oír el mundo que lo rodea, pero siempre a un nivel auditivo seguro. Cuando el sonido de ambiente supera un nivel auditivo seguro, la tecnología de micrófono responde de inmediato y lo atenúa a un nivel seguro.

Esta función se activa de manera automática cuando el producto se enciende. Ajustar el volumen de TSC es fácil. Solo presione el botón para subir **(3)** y bajar el volumen del TSC **(4)**.



# Recarga

Los auriculares se pueden alimentar con el Paquete de Baterías de Litio recargable incluido. El Paquete de Baterías de Litio tiene una carga de más de 14 horas.

1

Deslice el Pasador de la Tapa de la Batería (9) "hacia arriba" hacia la banda para liberar la Tapa de la Batería.



2

Cuando utilice el Paquete de Litio, conecte el cable del Paquete de Baterías en el puerto del Paquete de Baterías en el compartimento de la batería (tenga en cuenta que la batería viene completamente instalada)



# Recarga

Los auriculares se pueden alimentar con el Paquete de Baterías de Litio recargable incluido. El Paquete de Baterías de Litio tiene una carga de más de 14 horas.

3

Cargue con el cable incluido enchufándolo al Puerto de Carga (7).



*\*El voltaje de carga no debe exceder los 5v.*



4

Mientras el cable está conectado al Puerto de Carga (7), los Indicadores de Carga LED (8) le permitirán saber que tan cargada está la Batería de Litio.

## Indicadores de Carga LED

-  Rojo Continuo = Cargando (Cable Enchufado)
-  Verde Continuo = Carga Completa (Cable Enchufado)

# Baterías

Los auriculares también pueden funcionar con 3 pilas AAA.

3 Baterías AAA tienen una carga de más de 24 horas y deberán ser reemplazadas.

1

Deslice el Pasador de la Tapa de la Batería (9) "hacia arriba" hacia la banda para liberar la Tapa de la Batería.



2

Cuando utilice baterías AAA, asegúrese de haberlas orientado correctamente.



# Encender/Apagar

**Encender:** Mantenga pulsado el BFM (5) durante 3 segundos (oír “Encendido”)

**Apagar:** Mantenga pulsado el BFM (5) durante 3 segundos (oír “Apagado”)



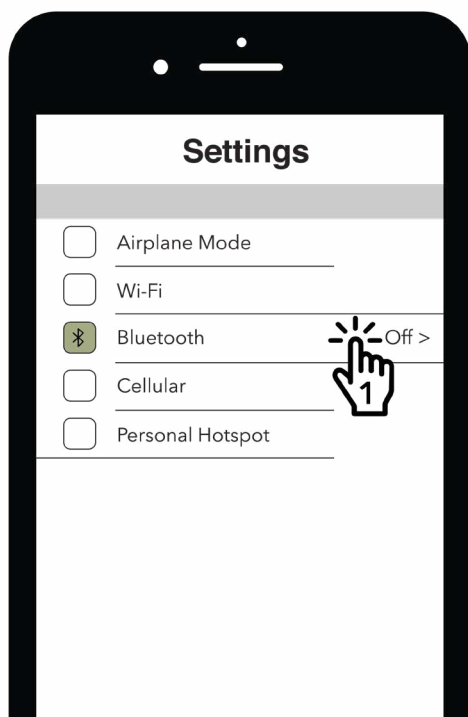
5

# Emparejamiento con Bluetooth

Después de encenderlos, se ingresa automáticamente al modo de emparejamiento. (oír “Bluetooth Pairing Mode”)

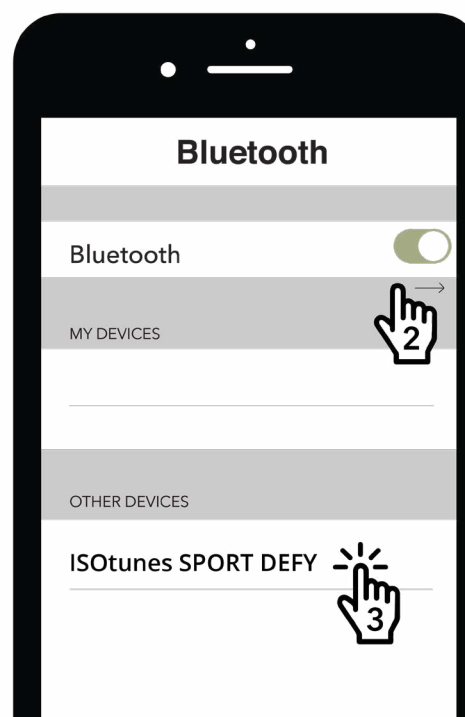
1

Abra la configuración de Bluetooth en su dispositivo.



2

Buscar “Enlace ISOtunes Sport DEFY”.  
Emparejar y conectar.  
Una vez conectado, escuchará  
“Bluetooth Conectado”



# Modo de Conexión Dual

Este producto se puede conectar a dos dispositivos al mismo tiempo, como su teléfono y su computadora.

1. Empareje y conéctese a su primer dispositivo como se describe en Emparejamiento con Bluetooth. Este será el dispositivo A.
2. Mantenga presionado el BMF **(5)** durante 7 segundos hasta que escuche "Bluetooth Pairing Mode" (escuchará Apagar, mantenga presionado el botón hasta que escuche "Bluetooth Pairing Mode")
3. . Empareje y conéctese al segundo dispositivo como se describe en Emparejamiento con Bluetooth. Este será el dispositivo B.
4. En el dispositivo A, vaya al menú de Bluetooth y conéctese manualmente al ISOtunes Sport DEFY.
5. Ambos dispositivos ahora están conectados.

## Restablecimiento del Emparejamiento

Mantenga presionado Subir Volumen **(1)** y Bajar Volumen **(2)** durante 4 segundos.

El producto entrará en modo de emparejamiento.



# Música

**Reproducir/Pausar:** Una pulsación breve del BMF **(5)**

**Siguiente Pista:** Doble pulsación del BMF **(5)**

**Pista Anterior:** Triple pulsación del BMF **(5)**

**Subir Volumen del Música:**

Pulsación breve de Subir Volumen **(1)**

**Bajar Volumen del Música:**

Pulsación breve de Bajar Volumen **(2)**

**Subir Volumen del TSC:**

Pulsación breve de Subir Volumen **(3)**

**Bajar Volumen del TSC:**

Pulsación breve de Bajar Volumen **(4)**



# Llamadas Telefónicas

**Responder/Finalizar llamada:** Pulsación breve de BFM (5)

**Rechazar llamada:** Pulsación breve de BFM (5) por 1 segundo

## Asistente Siri / Google

Mantenga pulsado BFM (5) por 1 segundo



## Colocación



### ANSI S3.19-1974 Table (NRR Table)

A1: Frequency, Hz	125	250	500	1000	2000	3150	4000	6300	8000	NRR
A2: Grand Mean Attenuation, dB	19.9	22.3	27.8	30.8	38.8	44.3	50.0	46.3	42.4	<b>25</b>
A3: Standard Deviation, dB	3.7	2.9	2.4	2.3	3.8	3.9	3.8	3.1	4.3	

### EN 352-1:2002 Table (SNR Table)

B1: Frequency (Hz)	125	250	500	1000	2000	4000	8000
B2: Mf (dB)	17.5	21.4	26.6	29.3	37.6	46.4	39.6
B3: sf (dB)	4.5	2.5	2.6	2.3	3.7	4.6	6.8
B4: APVf	13.0	18.9	24.0	27.0	33.9	41.8	32.8

B5: SNR=30dB    H=34dB    M=27dB    L=21dB    APVf=MF-SF (dB)

## Importante

Lea, comprenda y siga toda la información de seguridad.

**El manual completo se puede encontrar en [ISOtunes.com/DEFYManual](http://ISOtunes.com/DEFYManual)**

## Colocación

1. Retire la espuma protectora de cada audífono
2. Separe los audífonos
3. Colóquese el producto en la cabeza
4. Cambie la posición del audífono extendiendo la vincha para asegurar que se ajuste bien alrededor de las orejas

## Introducción

Gracias por comprar las orejeras profesionales aislantes de ruido de

ISOtunes® Sport DEFY Estas orejeras han sido diseñadas específicamente para usarse en ambientes ruidosos – le permiten bloquear en gran medida el sonido del entorno para poder escuchar su música o hablar por teléfono con menos interrupciones. Este producto ha sido probado y cumple la Norma Europea de Seguridad EN352-1:2002 y las normas de la ANSI y NIOSH para protectores auditivos, con un índice de reducción único (SNR) de 30 dB con un índice de reducción de ruido (NRR) de 25 dB. Los detalles completos de prueba están disponibles en la sección sobre atenuación del ruido de este folleto.

### APROBACIÓN de la atenuación del ruido

El ISOtunes® Sport DEFY está testeado y aprobado según las especificaciones ANSI S3.19-1974 y la Norma Europea de Seguridad EN 352-1:2002.

## ANSI

### S3.19-1974

El nivel de ruido que ingresa al oído de una persona, cuando los audífonos ISOtunes® Sport DEFY se usan según las instrucciones, es muy similar a la diferencia entre el nivel de ruido ambiental con ponderación A y el índice de reducción de ruido (NRR). La mala colocación de este dispositivo reducirá su efectividad en la atenuación del ruido. Consulte las instrucciones adjuntas para saber cómo colocarlo correctamente.

A1: frecuencia (Hz)

A2: atenuación media (dB)

A3: desviación estándar (dB)

Ejemplo:

1. El nivel de ruido del entorno medido en el oído es de 100 dB.
2. El NRR del ISOtunes® Sport DEFY es de 25 dB.
3. El nivel de ruido que ingresa al oído es aproximadamente igual a 75dB.

Observe que el NRR está basado en la atenuación de ruido continuo y puede no ser un indicador preciso de la protección a lograr contra

ruido impulsivo, como disparos.

### EN 352

B1: frecuencia (Hz)

B2: atenuación media (dB)

B3: desviación estándar (dB)

B4: valor de protección asumida (APV) (dB)

B5:

H = estimación de protección auditiva para sonidos de alta frecuencia ( $f \geq 2000\text{Hz}$ )

M = estimación de protección auditiva para sonidos de media frecuencia ( $500\text{ Hz} < f < 2000\text{Hz}$ )

L = estimación de protección auditiva para sonidos de baja frecuencia ( $f \leq 500\text{Hz}$ )

### Tecnología SafeMax™

El ISOTunes® Sport DEFY incorpora tecnología SafeMax™ y por lo tanto su producción de volumen se ha limitado a 85 decibelios. Los dispositivos ISOTunes® con tecnología SafeMax™ cumplen con las normas de OSHA, NIOSH y ANSI y, según corresponda, cumplen la Norma Europea de Seguridad EN352.

### Tecnología Tactical Sound Control™ (control de sonido táctico)

Este producto incluye TSC - Tactical Sound Control (control de sonido táctico). Esta es una tecnología de micrófono que permite al usuario oír el mundo que lo rodea, pero siempre a un nivel auditivo seguro. Cuando el sonido de ambiente supera un nivel auditivo seguro, la tecnología de micrófono responde de inmediato y lo atenúa a un nivel seguro.

Esta función se activa de manera automática cuando el producto se enciende. Ajustar el volumen de TSC es fácil. Solo presione el botón para subir y bajar el volumen del TSC.

### Limpieza y mantenimiento

- Limpie su ISOTunes Sport DEFY pasando con suavidad un paño limpio y húmedo con un jabón suave.
- No sumerja el protector auditivo en agua.

- No use solventes de limpieza abrasivos para limpiar el protector auditivo.

Si el protector auditivo se humedece con transpiración o lluvia, discontinúe el uso, coloque la orejera hacia afuera y deje que se seque.

Las almohadillas de los audífonos y la espuma interior deben ser controladas periódicamente para ver si tienen deterioro, grietas u otros daños.

### Materiales

- Almohadilla del audífono: PU + espuma con memoria
- Carcasa: ABS
- Teclado: silicona
- Vincha: acero inoxidable + TPE
- Soporte de la vincha: ABS

Este producto incluye un paquete de baterías de litio. El paquete de baterías puede ser recargado conectando un extremo del cable incluido en un tomacorriente USB y el otro extremo en el puerto de carga del producto ubicado debajo de la cobertura de goma en la parte inferior del audífono izquierdo.

Las baterías se pueden controlar retirando la cobertura de la batería. Deslice el pestillo para abrir la tapa.

El paquete de baterías de litio puede ser retirado del producto y reemplazado. Levante la batería. Desconecte el cable del paquete de baterías. Para reinstalarlo, coloque el paquete de baterías en el compartimiento y conecte el cable del paquete de baterías en el puerto del paquete de baterías. Asegúrese de que el cable esté conectado en el puerto adecuado para el correcto rendimiento del producto.

También puede usar tres baterías AAA para hacer funcionar el dispositivo. Retire por completo el paquete de baterías de litio del producto y coloque las baterías AAA según se indica en el producto. No intente usar el paquete de baterías de litio y las baterías AAA al mismo tiempo.

### **Apagado automático**

El ISOtunes® Sport DEFY se apagará automáticamente luego de cuatro horas de uso.

### **ADVERTENCIAS**

El ISOtunes® Sport DEFY hace un excelente trabajo bloqueando el ruido exterior. Como tal, el ISOtunes® Sport DEFY NO debe ser usado en ambientes en donde los usuarios deben estar por completo alertas de su entorno por razones de seguridad personal. Por ejemplo, NO lo use al conducir un automóvil o una motocicleta. De igual manera, NO los use al andar en bicicleta al aire libre. El usuario es el único responsable de asegurarse de que el ISOtunes® Sport DEFY sea usado SOLO en ambientes seguros.

Estas orejeras están diseñadas para proteger sus oídos contra ruido perjudicial.

La audibilidad de señales de alerta en un lugar de trabajo específico puede ser perjudicada al usar la función de entretenimiento.

Este producto puede ser dañado por determinadas sustancias químicas, como protector solar y repelente. Puede solicitar más información al fabricante.

Agregar fundas higiénicas a las almohadillas puede afectar el rendimiento acústico de las orejeras.

### **Recomendaciones**

El usuario debe asegurarse de que el producto esté correctamente limpiado y secado antes y después de usarlo. Se debe guardar en un lugar limpio y seco entre -20 °C y 50 °C. La batería no debe agotarse por completo antes de guardarlo por un período largo.

El usuario debe asegurarse de que:

- El protector auditivo sea colocado, ajustado y conservado según las instrucciones del fabricante.
- El protector auditivo sea utilizado en todo momento en entornos ruidosos.

- El protector auditivo sea controlado periódica mente para ver si funciona.

Si estas recomendaciones no se siguen, la protección del protector auditivo se verá muy perjudicada.

Las medidas disponibles del audífono son S, M y L.

La masa media del producto es de 405 g.

Fecha de caducidad: tres años a partir de la fecha de compra.

No debe ser usado en atmósferas explosivas.

### **Notas adicionales**

El ISOtunes® Sport DEFY cumple con el Bluetooth® V4.2. No garantizamos la compatibilidad de todas las funciones de todos los dispositivos con Bluetooth®. Controle el manual de usuario de su dispositivo para ver la compatibilidad y la funcionalidad.

Observe que el protector auditivo ofrece una función de audio de entretenimiento. La orejera ofrece un límite de nivel de presión de sonido de señal de audio, el cual limita la señal de audio de entretenimiento a 85 dB(A) efectivo al oído. Este límite se mantiene para las entradas de señales de bluetooth que sean estándar para las especificaciones de Bluetooth A2DP, HFP y HSP. No hay entrada de línea analógica en este producto.

Para más información sobre el ISOtunes® Sport DEFY, visite [www.ISOtunes.com/DEFYManual](http://www.ISOtunes.com/DEFYManual). Para información adicional o preguntas sobre productos, repuestos y accesorios ISOtunes® comuníquese con nuestro equipo de ayuda.

Repuestos: kit de higiene (almohadillas para el audífono y espuma protectora) Número de modelo: IT-83

### **Reemplazo de las almohadillas:**

1. Coloque su dedo entre las almohadillas y la espuma.
2. Estire la almohadilla de espuma del audífono.
3. Retire la espuma protectora del audífono.

4. Coloque la espuma protectora nueva.
5. Presione la almohadilla nueva en su lugar en el audífono.

## **FCC**

Advertencia: se advierte al usuario que los cambios y modificaciones no aprobados de manera expresa por la parte responsable del cumplimiento puede dejar nula la autoridad del usuario para operar el equipo.

Nota: este equipo ha sido testeado y cumple con los límites de los dispositivos digitales Clase B, según la sección 15 de las Reglas de la FCC. Estos límites están diseñados para ofrecer protección razonable contra interferencia perjudicial en instalaciones residenciales. Este equipo genera, usa y puede emitir energía de radiofrecuencia y, si no está instalado y usado según las instrucciones, puede causar interferencias dañinas a las radiocomunicaciones. No obstante, no hay garantía de que no habrá interferencia en una instalación particular. Si este equipo causara interferencia dañina a la recepción de radio o televisión, que puede ser determinada apagando y encendiendo el equipo, se alienta al usuario a tratar de corregir la interferencia con una o más de las siguientes medidas:

- Reoriente o reubique la antena receptora.
- Aumente la separación entre el equipo y el receptor.
- Conecte el equipo en un tomacorriente en un circuito diferente al cual está conectado el receptor.
- Pida ayuda al vendedor o a un técnico con experiencia en radio y televisión.

Este equipo cumple con los límites de exposición a la radiación RF de la FCC indicados para un ambiente no controlado. Los usuarios finales deben seguir las instrucciones operativas específicas para satisfacer el cumplimiento a la exposición a la RF. Este transmisor no debe ser colocado en el mismo lugar que ninguna otra antena o transmisor ni ser operado en conjunto con estos.

## **RU y Europa**

uk-eurosupport@isotunesaudio.com

## **Norteamérica**

support@isotunesaudio.com

1-844-396-3737

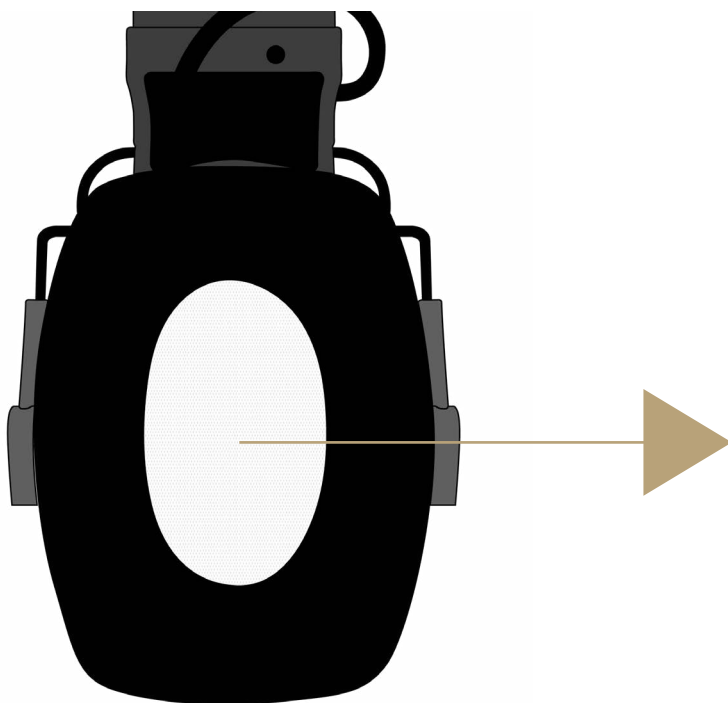
De lunes a viernes de 9 a 5 ET

# Raccord

Le casque est étiqueté et réglable pour votre commodité.

1

Retirez le rembourrage en mousse blanche de chaque écouteur.



2

Vérifiez les écouteurs pour droite et étiquettes de gauche.



# Raccord

Le casque est étiqueté et réglable pour votre commodité.

3

Ajustez les écouteurs, le serre-tête et les fils pour un ajustement serré mais confortable.



4

Assurez-vous que les étiquettes des écouteurs correspondent aux côtés de votre tête et placées sur vos oreilles.





# Lieu des contrôles

1. Musique Volume Up
2. Musique Volume Down
3. TSC Volume Up
4. TSC Volume Down
5. Bouton multifonction (MFB)
6. Micro Bluetooth
7. Port de charge
8. Indicateur de charge LED
9. Loquet du couvercle de la batterie



# Technologie Tactical Sound Control™

Ce produit comprend le TSC - Tactical Sound Control. Il s'agit d'une technologie de microphones qui permet à l'utilisateur d'entendre le monde qui l'entoure, mais toujours à un niveau d'écoute sûr. Lorsque le bruit ambiant dépasse un niveau d'écoute sûr, la technologie de microphones réagit immédiatement et s'atténue à un niveau sûr.

Cette fonction s'active automatiquement lorsque le produit est mis en marche. Le réglage du volume TSC est facile. Il suffit d'appuyer sur le bouton TSC Volume Up **(3)** et Down **(4)**.



# Chargement

Le casque peut être alimenté par la batterie rechargeable au lithium incluse.  
La batterie au lithium a une autonomie de plus de 14 heures.

1

Faites glisser le loquet du couvercle de la batterie (9) « vers le haut » vers le bandeau pour libérer le couvercle de la



2

Lorsque vous utilisez le Lithium Pack, veuillez brancher le câble de la batterie dans le port de la batterie dans le compartiment de la batterie (veuillez noter que la batterie est livrée complètement installée).



# Chargement

Le casque peut être alimenté par la batterie rechargeable au lithium incluse. La batterie au lithium a une autonomie de plus de 14 heures.

3

Veillez charger avec le câble inclus en le branchant au port de chargement (7).



*\*La tension de charge ne doit pas dépasser 5V.*



4

Lorsque le câble est branché sur le port de chargement (7), les indicateurs de charge LED (8) vous permettra de savoir comment la batterie au lithium a été chargée.

## Indicateurs de charge LED

-  Rouge plein = charge (câble branché)
-  Vert solide = entièrement chargé (câble branché)

# Batteries

Le casque peut également être alimenté par 3 piles AAA.

3 piles AAA ont une charge de plus de 24 heures et devront être remplacées.

1

Faites glisser le loquet du couvercle de la batterie (9) « vers le haut » vers le bandeau pour libérer le couvercle de la batterie.



2

Lorsque vous utilisez des piles AAA, assurez-vous que vous avez bien orienté les piles.



# Mise sous/hors tension

**Mise sous tension:** Appuyez et maintenez la touche MFB  
(5) pendant 3 secondes  
(vous entendrez « Power On »)

**Mise hors tension:** Appuyez et maintenez la touche MFB  
(5) pendant 3 secondes onds  
(vous entendrez « Power Off »)



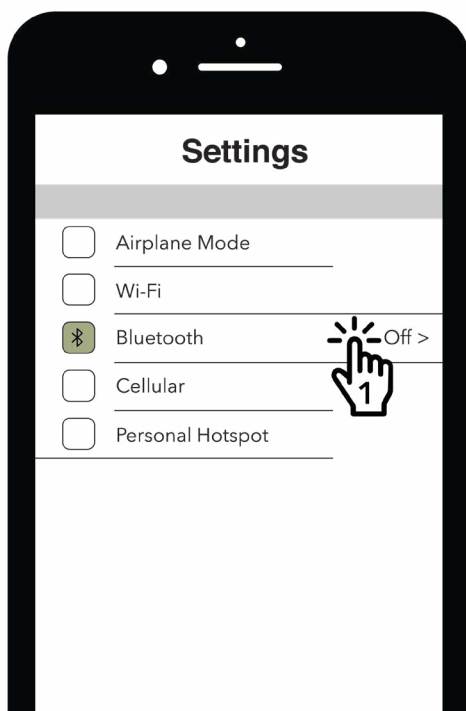
5

# Couplage Bluetooth

Après la mise sous tension, le mode de couplage est automatiquement activé.  
(vous entendrez « Bluetooth Pairing Mode »)

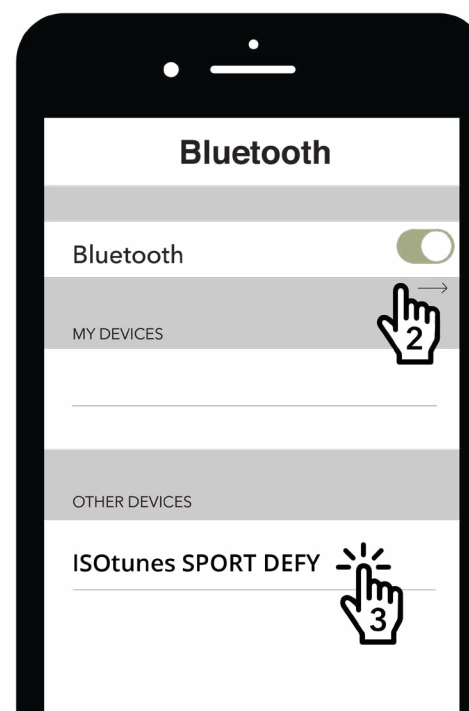
1

Ouvrez vos paramètres Bluetooth sur votre appareil.



2

Recherchez « ISOtunes Sport DEFY ».  
Coupler et connecter.  
Une fois connecté, vous entendrez  
« Bluetooth Connected »



# Mode de connexion double

Ce produit peut se connecter à deux appareils en même temps, comme votre téléphone et votre ordinateur.

1. Couplez et connectez à votre premier appareil comme décrit dans la section Couplage Bluetooth. Il s'agira du dispositif A.
2. Appuyez et tenez le MFB **(5)** pendant 7 secondes jusqu'à ce que vous entendiez « Bluetooth Pairing Mode » (vous entendrez « Power Off », maintenez le bouton enfoncé jusqu'à ce que vous entendiez « Bluetooth Pairing Mode »)
3. Couplez et connectez à votre deuxième appareil comme décrit dans la section Couplage Bluetooth. Il s'agira du dispositif B.
4. Sur l'appareil A, allez dans le menu Bluetooth et connectez-vous manuellement à ISOtunes Sport DEFY.
5. Les deux appareils sont maintenant connectés.

## Réinitialisation du couplage

Appuyez et maintenez le volume Up **(1)** et le Volume Down **(2)** pendant 4 secondes.

Le produit entrera en mode de couplage.



# Musique

**Play/Pause:** Courte presse unique MFB (5)

**Prochaine titre:** Presse deux fois MFB (5)

**Titre précédent:** Presse tripler MFB (5)

**Musique Volume Up:**

Presse unique courte Volume Up (1)

**Musique Volume Down:**

Presse unique courte Volume Down (2)

**TSC Volume Up:**

Presse unique courte Volume Up (3)

**TSC Volume Down:**

Presse unique courte Volume Down (4)



# Appels téléphoniques

**Répondre/terminer l'appel:** Courte presse unique MFB (5)

**Rejeter l'appel:** Appuyez et maintenez la touche MFB (5)  
pendant 1 seconde

## Siri / Google Assistant

Appuyez et maintenez la touche MFB (5)  
pendant 1 seconde



## Adaptation



### ANSI S3.19-1974 Table (NRR Table)

A1: Frequency, Hz	125	250	500	1000	2000	3150	4000	6300	8000	NRR
A2: Grand Mean Attenuation, dB	19.9	22.3	27.8	30.8	38.8	44.3	50.0	46.3	42.4	<b>25</b>
A3: Standard Deviation, dB	3.7	2.9	2.4	2.3	3.8	3.9	3.8	3.1	4.3	

### EN 352-1:2002 Table (SNR Table)

B1: Frequency (Hz)	125	250	500	1000	2000	4000	8000
B2: Mf (dB)	17.5	21.4	26.6	29.3	37.6	46.4	39.6
B3: sf (dB)	4.5	2.5	2.6	2.3	3.7	4.6	6.8
B4: APVf	13.0	18.9	24.0	27.0	33.9	41.8	32.8

B5: SNR=30dB    H=34dB    M=27dB    L=21dB    APVf=MF-SF (dB)

## Important

Veuillez lire, comprendre et suivre toutes les informations relatives à la sécurité.

Le manuel complet est disponible sur [ISOtunes.com/DEFYManual](http://ISOtunes.com/DEFYManual)

## Adaptation

1. Retirez les inserts en mousse blanche de chaque écouteur
2. Écarter les écouteurs
3. Placez le produit sur votre tête
4. Ajustez la position des écouteurs en allongeant le bandeau pour assurer un bon ajustement autour des oreilles

## Introduction

Nous vous remercions d'avoir acheté le casque antibruit professionnel à isolation phonique ISOtunes® Sport DEFY. Ce casque antibruit a été spécialement conçu pour protéger contre les bruits nocifs, en vous permettant de bloquer une grande partie du bruit ambiant afin que vous puissiez écouter votre musique ou parler au téléphone avec moins d'interruption. Ce produit a été testé et répond aux normes de sécurité européennes EN352-1:2002 et aux normes ANSI et NIOSH pour une protection auditive, avec un indice numérique unique (SNR) de 30 dB avec un indice de réduction du bruit (NRR) de 25 dB. Les détails complets des tests sont disponibles dans la section Atténuation du bruit de cette brochure.

### APPROBATION de l'atténuation du bruit

ISOtunes® Sport DEFY est testé et approuvé conformément aux spécifications ANSI S3.19-1974 et aux normes de sécurité européennes EN 352-1:2002.

## ANSI

### S3.19-1974

Le niveau de bruit pénétrant dans l'oreille d'une personne, lorsque les écouteurs ISOtunes® Sport DEFY sont portés selon les instructions, est étroitement lié à la différence entre le niveau de bruit ambiant pondéré A et l'indice de réduction du bruit (NRR). Un mauvais ajustement de ce dispositif réduira son efficacité à atténuer le bruit. Consultez les instructions ci-jointes pour un montage correct.

A1: Fréquence (Hz)

A2: Atténuation moyenne (dB)

A3: Écart-type (dB)

Exemple :

1. Le niveau de bruit ambiant mesuré à l'oreille est de 100 dB.
2. Le NRR d'ISOtunes® Sport DEFY est de 25 dB.
3. Le niveau de bruit entrant dans l'oreille est approximativement égal à 75 dB.

Veuillez noter que le NRR est basé sur l'atténuation du bruit continu

et peut ne pas être un indicateur précis de la protection possible contre le bruit impulsif, comme les tirs d'armes à feu.

### EN 352

B1: Fréquence (Hz)

B2: Atténuation moyenne (dB)

B3: Écart-type (dB)

B4: Valeur de protection présumée (APV) (dB)

B5:

H = Estimation de la protection auditive pour les sons de haute fréquence ( $f \geq 2000\text{Hz}$ )

M = Estimation de la protection auditive pour les sons de moyenne fréquence ( $500\text{ Hz} < f < 2000\text{Hz}$ )

L = Estimation de la protection auditive pour les sons de basse fréquence ( $f \leq 500\text{Hz}$ )

### Technologie SafeMax™

ISOtunes® Sport DEFY intègre la technologie SafeMax™, c'est pourquoi son volume de sortie a été limité à 85 décibels. Les appareils ISOtunes® dotés de la technologie SafeMax™ sont conformes aux normes OSHA, NIOSH et ANSI et, lorsqu'ils sont désignés, répondent à la norme de sécurité européenne EN352.

### Technologie Tactical Sound Control™

Ce produit comprend le TSC - Tactical Sound Control. Il s'agit d'une technologie de microphones qui permet à l'utilisateur d'entendre le monde qui l'entoure, mais toujours à un niveau d'écoute sûr. Lorsque le bruit ambiant dépasse un niveau d'écoute sûr, la technologie de microphones réagit immédiatement et s'atténue à un niveau sûr.

Cette fonction s'active automatiquement lorsque le produit est mis en marche. Le réglage du volume TSC est facile. Il suffit d'appuyer sur le bouton TSC Volume Up et Down.

### Nettoyage et entretien

- Nettoyez vos ISOtunes Sport DEFY en les essuyant doucement avec un chiffon propre et humide avec du savon doux.

- Ne pas immerger la protection auditive dans l'eau.
- N'utilisez pas de solvants de nettoyage abrasifs pour nettoyer la protection auditive.

Si la protection auditive est mouillée par la sueur ou la pluie, veuillez cesser de l'utiliser et tourner le protège-oreilles vers l'extérieur et le laisser sécher.

Les coussinets d'oreilles et les doublures en mousse doivent être régulièrement inspectés pour vérifier qu'ils ne sont pas détériorés, fissurés ou endommagés.

### Matériel

- Coussin d'oreille : PU + mousse mémoire
- Revêtement : ABS
- Clavier : Silicium
- Bandeau : Acier inoxydable + TPE
- Support de bandeau : ABS

Ce produit est livré avec une batterie au lithium. La batterie peut être rechargée en branchant une extrémité du câble inclus dans une prise USB et l'autre extrémité dans le port de chargement du produit situé sous le couvercle en caoutchouc au bas de l'écouteur gauche.

Les piles peuvent être vérifiées en retirant le couvercle de la pile. Faites glisser le loquet pour libérer la porte.

Le bloc-pile au lithium peut être retiré du produit et remplacé. Soulevez la batterie. Débranchez le câble de la batterie. Pour le réinstaller, mettez la batterie dans le compartiment et branchez le câble de la batterie dans le port de la batterie. Assurez-vous que le câble de la batterie est branché dans le port de câble de la batterie pour que le produit fonctionne correctement.

Trois piles AAA peuvent également alimenter l'appareil. Retirez complètement le bloc-piles au lithium du produit et installez les piles AAA comme indiqué sur le produit. N'essayez pas d'utiliser en même temps le pack de piles au lithium et les piles AAA.

### **Mise hors tension automatique**

ISOtunes® Sport DEFY s'éteint automatiquement après 4 heures d'utilisation.

### **AVERTISSEMENTS**

ISOtunes® Sport DEFY fait un excellent travail de blocage des bruits extérieurs. En tant que tel, ISOtunes® Sport DEFY ne doit PAS être utilisé dans des environnements où les utilisateurs doivent être pleinement conscients de leur environnement pour des raisons de sécurité personnelle. Par exemple, ne les utilisez PAS lorsque vous conduisez une voiture ou une moto. De même, ne les utilisez PAS lorsque vous faites du vélo à l'extérieur. L'utilisateur est seul responsable de veiller à ce que ISOtunes® Sport DEFY soit utilisé UNIQUEMENT dans des environnements sûrs.

Ces casques antibruit sont destinés à protéger vos oreilles contre les bruits dangereux.

L'audibilité des signaux d'avertissement sur un lieu de travail spécifique peut être réduite lors de l'utilisation de l'installation de divertissement.

Ce produit peut être altéré par certaines substances chimiques, comme les insecticides et les écrans solaires. Des informations complémentaires peuvent être obtenues auprès du fabricant.

La pose de housses d'hygiène sur les coussinets peut affecter les performances acoustiques des casques antibruit.

### **Recommandations**

L'utilisateur doit s'assurer que le produit est correctement nettoyé et sec avant et après utilisation. Le stockage doit se faire dans un endroit propre et sec, entre -20 °C et 50 °C. La batterie ne doit pas être complètement déchargée avant un stockage à long terme.

Le porteur doit s'en assurer

- La protection auditive est ajustée, réglée et entretenue conformément aux instructions du fabricant.
- Le protecteur auditif est porté en permanence dans les environnements.
- Le protecteur auditif est régulièrement inspecté pour vérifier son bon fonctionnement.

Si ces recommandations ne sont pas respectées, la protection offerte par le protecteur auditif sera gravement compromise.

La taille du casque est S M L.

La masse moyenne du produit est de 405 g.

Date d'obsolescence : 3 ans à compter de la date d'achat.

Ne pas utiliser dans des atmosphères explosives.

### **Notes complémentaires**

ISOtunes® Sport DEFY est compatible avec Bluetooth® V4.2. Nous ne garantissons pas la compatibilité de toutes les fonctions sur chaque appareil compatible Bluetooth®. Veuillez consulter le manuel d'utilisation de votre appareil pour connaître sa compatibilité et ses fonctionnalités.

Veuillez noter que la protection auditive offre une installation audio de divertissement. Le casque antibruit permet de limiter le niveau de pression sonore du signal audio de divertissement à 85 dB(A) effectif à l'oreille. Cette limite est maintenue pour les entrées de signaux Bluetooth qui sont conformes aux spécifications Bluetooth A2DP, HFP et HSP. Il n'y a pas d'entrée de ligne analogique sur ce produit.

Pour plus d'informations sur ISOtunes® Sport DEFY, veuillez consulter le site [www.ISOtunes.com/DEFYManual](http://www.ISOtunes.com/DEFYManual). Pour toute information complémentaire ou question sur les produits ISOtunes® ou les pièces de rechange et accessoires, veuillez contacter notre équipe d'assistance.

Pièces de rechange : Kit d'hygiène (coussinets d'oreilles et inserts en mousse) Numéro de modèle : IT-83

### **Remplacer les coussinets d'oreilles:**

1. Mettez votre doigt entre les coussinets et la mousse.
2. Retirez le coussin auriculaire en mousse de l'écouteur.
3. Retirez les inserts en mousse dans l'écouteur.
4. Installer les nouveaux inserts en mousse
5. Mettez le nouveau coussin en place sur l'écouteur

### **FCC**

Attention: L'utilisateur est averti que les changements ou modifications non expressément approuvés par la partie responsable de la conformité pourraient annuler le pouvoir de l'utilisateur d'utiliser l'équipement.

Note : Cet équipement a été testé et jugé conforme aux limites applicables aux appareils numériques de classe B, conformément à la partie 15 des règles de la FCC. Ces limites sont conçues pour fournir une protection raisonnable contre les interférences nuisibles dans une installation résidentielle. Cet équipement génère, utilise et peut émettre de l'énergie de radio fréquence et, s'il n'est pas installé et utilisé conformément aux instructions, il peut causer des interférences nuisibles aux communications radio. Toutefois, il n'y a aucune garantie que des interférences ne se produiront pas dans une installation particulière. Si cet équipement cause des interférences nuisibles à la réception radio ou télévision, ce qui peut être déterminé en allumant et en éteignant l'équipement, l'utilisateur est encouragé à essayer de corriger l'interférence par une ou plusieurs des mesures suivantes :

- Réorientez ou déplacez l'antenne de réception.
- Augmenter la séparation entre l'équipement et le récepteur.
- Branchez l'équipement sur une prise de courant d'un circuit différent de celui auquel le récepteur est connecté.
- Consultez le revendeur ou un technicien radio/ TV expérimenté pour obtenir de l'aide.

Cet équipement est conforme aux limites d'exposition aux radiations RF de la FCC établies pour un environnement non contrôlé. Les utilisateurs finaux doivent suivre les instructions d'utilisation spécifiques pour satisfaire à la conformité de l'exposition aux RF. Cet émetteur

ne doit pas être situé au même endroit ou fonctionner en conjonction avec une autre antenne ou un autre émetteur.

### **Royaume-Uni et Europe**

uk-eurosupport@isotunesaudio.com

### **Amérique du Nord**

support@isotunesaudio.com

1-844-396-3737

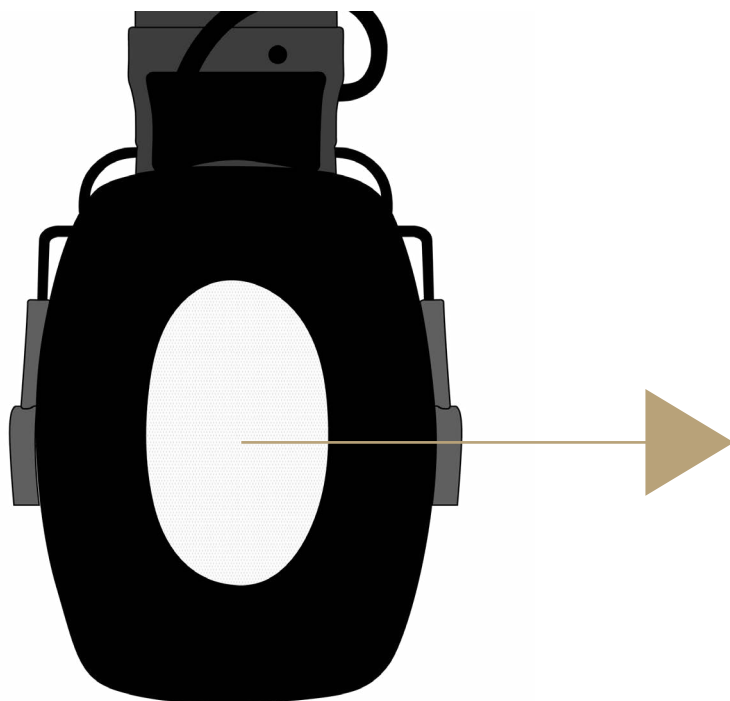
Lundi-vendredi 9-5 ET

# Anpassung

Das Headset ist beschriftet und für Ihre Bequemlichkeit einstellbar.

1

Remove the white foam padding from each earcup.



2

Entfernen Sie die weiße Schaumstoffpolsterung von jeder Ohrmuschel.



# Anpassung

Das Headset ist beschriftet und für Ihre Bequemlichkeit einstellbar.

3

Passen Sie die Ohrmuscheln, das Stirnband und die Kabel an, um eine bequeme, aber bequeme Passform zu erzielen.



4

Stellen Sie sicher, dass die Ohrmuscheletiketten den Seiten Ihres Kopfes entsprechen und platzieren Sie sie auf Ihren Ohren.





# Position der Bedienelemente

1. Musik Lautstärke +
2. Musik Lautstärke -
3. TSC Lautstärke +
4. TSC Lautstärke -
5. Multifunktionstaste (MFB)
6. Bluetooth-Mikrofon
7. Ladeanschluss
8. LED-Ladeanzeige
9. Batterieabdeckung



# Tactical Sound Control™ Technologie

Dieses Produkt enthält TSC - Tactical Sound Control. Es handelt sich hierbei um eine Mikrofontechnologie, die es dem Nutzer gestattet, die Welt um sich herum stets bei sicherer Lautstärke zu hören. Wenn der Umgebungslärmpegel eine sichere Lautstärke übersteigt, reagiert die Mikrofontechnologie sofort und dämmt das Geräusch auf ein sicheres Niveau.

Diese Funktion schaltet sich automatisch ein, wenn das Produkt eingeschaltet wird. Die Anpassung der TSC Lautstärke ist leicht. Sie drücken einfach auf den TSC Lautstärkeregler + **(3)** und - **(4)**.



# Laden

Das Headset kann mit dem mitgelieferten wiederaufladbaren Lithium-Batterie-Pack mit Strom versorgt werden.

Die Ladung des Lithium-Batterie-Packs reicht für über 14.

1

Schieben Sie die Batterieabdeckung (9) nach oben in Richtung Kopfhörerbügel, um sie zu öffnen.



2

Wenn Sie das Lithium-Pack verwenden, verbinden Sie bitte das Kabel des Batterie-Packs mit dem Anschluss für das Battery Pack im Batteriefach (bitte beachten Sie, dass die Batterie bereits installiert ist).



# Laden

Das Headset kann mit dem mitgelieferten wiederaufladbaren Lithium-Batterie-Pack mit Strom versorgt werden.

Die Ladung des Lithium-Batterie-Packs reicht für über 14.

3

Bitte laden Sie mit dem mitgelieferten Kabel, indem Sie es in den Ladeanschluss einstecken (7).



*\*Die Ladespannung darf 5 V nicht überschreiten.*



4

Während das Kabel in den Ladeanschluss eingesteckt ist (7), informiert Sie die LED-Ladeanzeige (8) über den Ladezustand der Lithiumbatterie.

## LED-Ladeanzeige

-  Rot = Laden  
(Kabel eingesteckt)
-  Grün = Voll geladen  
(Kabel eingesteckt)

# Batterien

Das Headset kann auch mit 3 AAA-Batterien betrieben werden.

Die Ladung von 3 AAA-Batterien reicht für über 24 Stunden und die Batterien müssen dann ersetzt werden:

1

Schieben Sie die Batterieabdeckung **(9)** „nach oben“ in Richtung Kopfhörerbügel, um sie zu öffnen.



2

Wenn Sie AAA-Batterien verwenden, achten Sie beim Einlegen bitte auf die Polarität der Batterien.



# Ein-/Ausschalten

**Einschalten:** Die Multifunktionstaste (5) für 3 Sekunden gedrückt halten (Sie hören ein „Power on“)

**Ausschalten:** Die Multifunktionstaste (5) für 3 Sekunden gedrückt halten (Sie hören ein „Power off“)

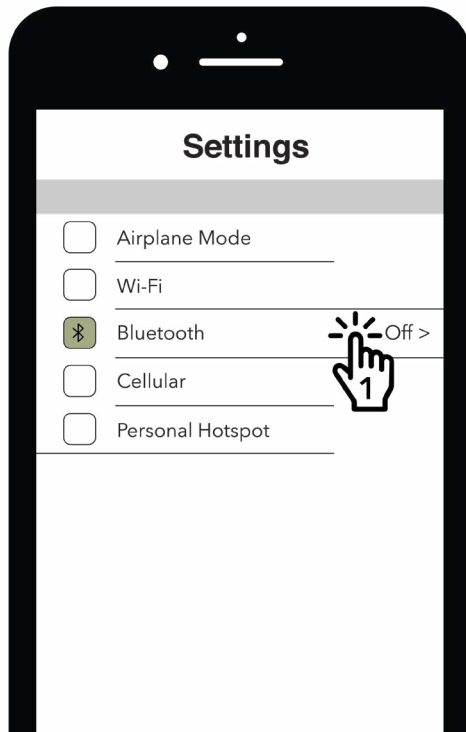


# Bluetooth-Kopplung

Nach dem Einschalten startet der Kopplungsmodus automatisch.  
(Sie hören „Bluetooth Pairing Mode“)

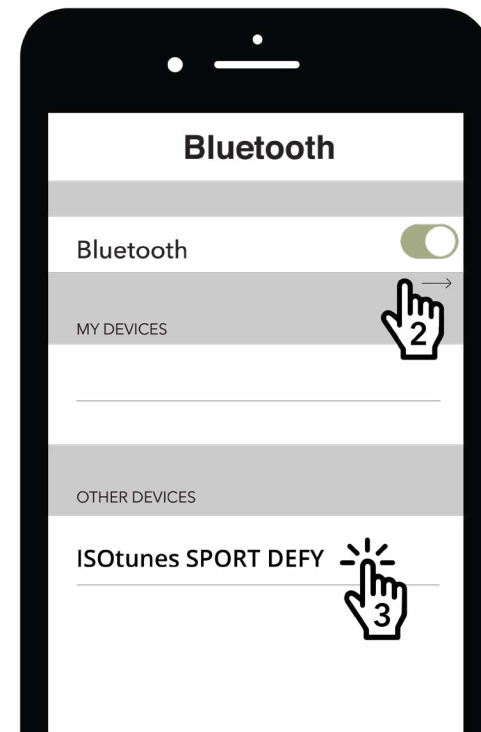
1

Öffnen Sie die Bluetooth-Einstellungen auf Ihrem Gerät.



2

Suchen Sie nach „ISOtunes Sport DEFY“.  
Koppeln und verbinden  
Sobald die Verbindung hergestellt ist, hören Sie  
„Bluetooth verbunden“



# Dual-Verbindungsmodus

Dieses Produkt kann gleichzeitig mit zwei Geräten wie Ihr Telefon und Ihren Computer verbunden werden.

1. Koppeln Sie Ihr erstes Gerät und stellen Sie eine Verbindung mit diesem her, wie unter Bluetooth-Kopplung. Dies wird Gerät A sein.
2. Die Multifunktionstaste **(5)** für 7 Sekunden gedrückt halten, bis Sie „Bluetooth-Kopplungsmodus“ hören (Sie hören „Power Off“ und halten die Taste gedrückt, bis Sie „Bluetooth Pairing Mode“ hören)
3. Koppeln Sie das 2. Gerät und stellen Sie eine Verbindung mit diesem her, wie unter Bluetooth-Kopplung. Dies wird Gerät B sein.
4. Öffnen Sie auf Gerät A das Bluetooth-Menü und verbinden Sie es manuell mit dem ISOtunes Sport DEFY.
5. Beide Geräte sind nun verbunden.

## Kopplung zurücksetzen

Die Taste Lautstärke + **(1)** und Lautstärke - **(2)** für 4 Sekunden gedrückt halten.

Das Produkt wechselt in den Kopplungsmodus.



# Musik

## Wiedergabe/Pause:

Die Multifunktionstaste einmal kurz drücken **(5)**

## Nächster Titel:

Die Multifunktionstaste zweimal drücken **(5)**

## Vorheriger Titel:

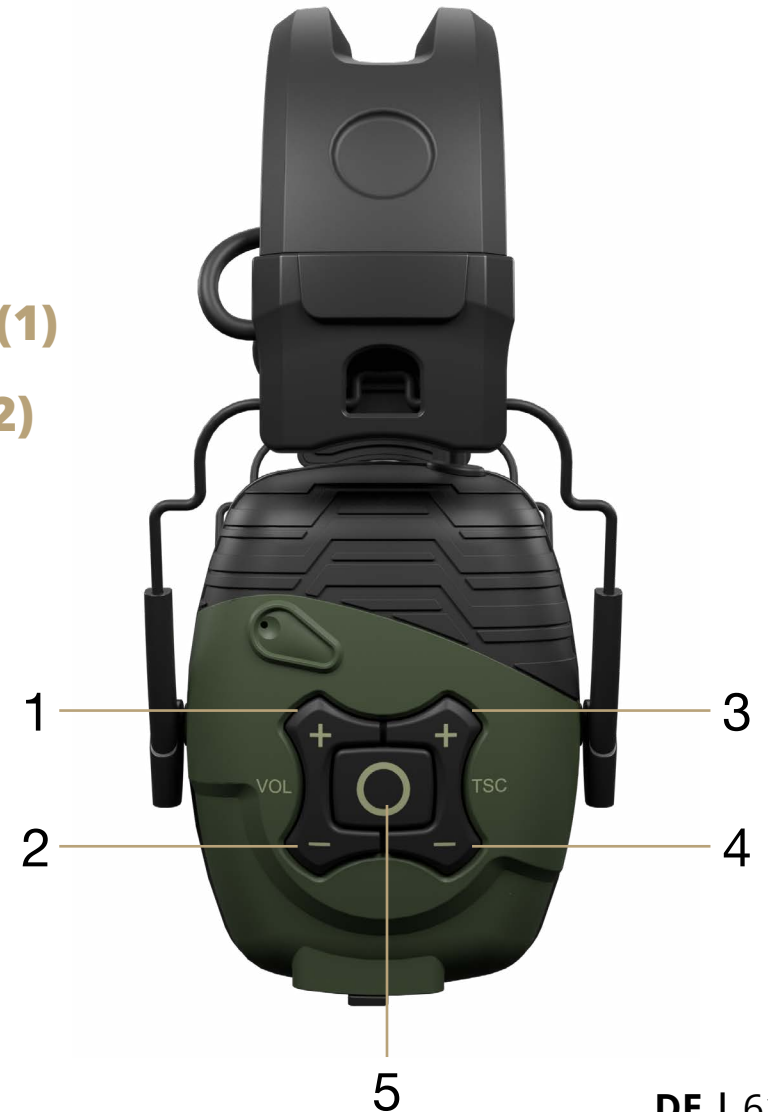
Die Multifunktionstaste verdreifachen drücken **(5)**

**Musik Lautstärke +:** Kurz drücken auf Lautstärke + **(1)**

**Musik Lautstärke -:** Kurz drücken auf Lautstärke - **(2)**

**TSC Lautstärke +:** Kurz drücken auf Lautstärke + **(3)**

**TSC Lautstärke -:** Kurz drücken auf Lautstärke - **(4)**



# Anrufe

**Anruf entgegennehmen/beenden:** Die Multifunktionstaste einmal kurz drücken **(5)**

**Anruf ablehnen:** Die Multifunktionstaste **(5)** für 1 Sekunde gedrückt halten

## Siri/Google Assistant

Die Multifunktionstaste **(5)** für 1 Sekunde gedrückt halten



## Anpassung



### ANSI S3.19-1974 Table (NRR Table)

A1: Frequency, Hz	125	250	500	1000	2000	3150	4000	6300	8000	NRR
A2: Grand Mean Attenuation, dB	19.9	22.3	27.8	30.8	38.8	44.3	50.0	46.3	42.4	<b>25</b>
A3: Standard Deviation, dB	3.7	2.9	2.4	2.3	3.8	3.9	3.8	3.1	4.3	

### EN 352-1:2002 Table (SNR Table)

B1: Frequency (Hz)	125	250	500	1000	2000	4000	8000
B2: Mf (dB)	17.5	21.4	26.6	29.3	37.6	46.4	39.6
B3: sf (dB)	4.5	2.5	2.6	2.3	3.7	4.6	6.8
B4: APVf	13.0	18.9	24.0	27.0	33.9	41.8	32.8

B5: SNR=30dB    H=34dB    M=27dB    L=21dB    APVf=MF-SF (dB)

## Wichtig

Bitte lesen, verstehen und befolgen Sie alle Sicherheitsinformationen.

Die vollständige Anleitung finden Sie auf [ISOtunes.com/DEFYManual](http://ISOtunes.com/DEFYManual)

## Anpassung

1. Entfernen Sie die weißen Schaumstoff von den Ohrmuscheln
2. Ziehen Sie die Ohrmuscheln auseinander
3. Setzen Sie die Kopfhörer auf
4. Passen Sie die Position der Ohrmuscheln an, indem Sie das Kopfband erweitern, um guten Pass um die Ohren zu gewährleisten.

## Einleitung

Danke für Ihren Kauf der ISOtunes® Sport DEFY Professional

geräuschisolierenden Kopfhörer. Diese Kopfhörer wurden speziell für die Nutzung in lauten Umgebungen entworfen. Sie dämmen den Umgebungslärm nahezu vollständig, so dass Sie ohne Störungen Ihre Musik hören oder am Handy sprechen können. Dieses Produkt wurde getestet und entspricht dem europäischen Sicherheitsstandard EN352-1:2002 und den Standards ANSI & NIOSH für Gehörschutze mit einem Single Number Rating (SNR) von 30 dB und Geräuschminderungswert (NRR) 25 dB. Die vollständigen Testergebnisse sind im Abschnitt Geräuschdämpfung in dieser Broschüre nachzulesen.

## ZULASSUNG für Geräuschdämmung

ISOtunes® Sport DEFY ist geprüft und zugelassen nach ANSI S3.19-1974 Spezifikationen und den europäischen Sicherheitsnormen EN 352-1:2002.

## ANSI

### S3.19-1974

Der Geräuschpegel, der beim ordnungsgemäßen Tragen der ISOtunes® Sport DEFY Kopfhörer ins Ohr eindringt, wird annähernd durch den Unterschied zwischen dem A-bewerteten Umgebungsgeräuschpegel und der NRR (Lärmdämpfung) bestimmt. Falscher Pass des Geräts reduziert seine Wirksamkeit bei der Geräuschdämpfung. Sehen Sie sich zum richtigen Pass die beigefügte Anleitung an.

A1: Frequenz (Hz)

A2: Mittlere Schalldämpfung (dB)

A3: Standardabweichung (dB)

Beispiel:

1. Der Umgebungslärm wird am Ohr mit 100 dB gemessen.
2. Die NRR des ISOtunes® Sport DEFY ist 25 dB.
3. Der ins Ohr eindringende Geräuschpegel beträgt daher ca. 75 dB.

Bitte beachten Sie, dass die NRR auf der Dämpfung kontinuierlichen Lärms basiert und keine genaue Angabe des Schutzes vor impulsivem Lärm geben kann, wie beispielsweise einem pistolenschuss.

## EN 352

B1: Frequenz (Hz)

B2: Mittlere Schalldämpfung (dB)

B3: Standardabweichung (dB)

B4: APV (Assumed Protection Value) (dB)

B5:

H = Geschätzter Gehörschutz bei hochfrequenten Tönen  
( $f \geq 2000\text{Hz}$ )

M = Geschätzter Gehörschutz bei hochfrequenten Tönen  
( $500\text{ Hz} < f < 2000\text{Hz}$ )

L = Geschätzter Gehörschutz bei hochfrequenten Tönen  
( $f \leq 500\text{Hz}$ )

## SafeMax™ Technologie

ISOtunes® Sport DEFY enthält SafeMax™ Technologie. Daher wurde seine Lautstärkewiedergabe auf 85 Dezibel limitiert. ISOtunes® Geräte mit SafeMax™ Technologie entsprechen OSHA, NIOSH und ANSI und entsprechen bei entsprechender Bezeichnung der Europäischen Sicherheitsnorm EN 352.

## Tactical Sound Control™ Technologie

Dieses Produkt enthält TSC - Tactical Sound Control. Es handelt sich hierbei um eine Mikrofontechnologie, die es dem Nutzer gestattet, die Welt um sich herum stets bei sicherer Lautstärke zu hören. Wenn der Umgebungslärmpegel eine sichere Lautstärke übersteigt, reagiert die Mikrofontechnologie sofort und dämmt das Geräusch auf ein sicheres Niveau.

Diese Funktion schaltet sich automatisch ein, wenn das Produkt eingeschaltet wird. Die Anpassung der TSC Lautstärke ist leicht. Sie drücken einfach auf den TSC Lautstärkeregler.

## Reinigung und Wartung

- Reinigen Sie Ihre ISOtunes Sport DEFY Kopfhörer, indem Sie sie sanft mit einem sauberen, feuchten Tuch abwischen.
- Produkt nicht in Wasser eintauchen.
- Verwenden Sie keine scharfen Reinigungslösungen zur Reinigung der Ohrhörer.

Wenn der Gehörschutz durch Schweiß oder Regen nass wird, setzen Sie ihn ab, drehen die Ohrmuscheln nach außen und lassen sie trocknen.

Die Ohrpolster und Schaumstofffutter sollten regelmäßig auf Abnutzung, Risse oder andere Schäden geprüft werden.

## Material

- Ohrpolster: PU + Memory Foam
- Schutzhülle: ABS
- Tastatur: Silikon
- Kopfband: Edelstahl + TPE
- Kopfbandklammer: ABS

Dieses Produkt kommt mit einem Lithiumakku. Der Akku ist wiederaufladbar, in dem Sie ein Ende des beigefügten Kabels in eine USB-Buchse und das andere in den Ladeanschluss des Produkts auf der Unterseite der Gummiabdeckung unter der linken Ohrmuschel stecken.

Die Akkuleistung kann geprüft werden, indem Sie die Abdeckung entfernen. Schieben Sie den Riegel zur Seite, um den Deckel zu öffnen.

Der Lithiumakku kann vom Produkt entfernt und ersetzt werden. Heben Sie den Akku heraus. Stecken Sie das Akkukabel aus. Zum Wiederanschießen legen Sie den Akku wieder ins Fach und stecken das Akkukabel in den dafür vorgesehenen Anschluss. Stellen Sie sicher, dass das Akkukabel richtig in den Akku eingesteckt ist, damit die Leistung des Geräts gewährleistet ist.

Alternativ können auch drei AAA-Batterien zum Antrieb des Geräts verwendet werden. Entfernen Sie den Akku ganz vom Gerät und installieren die AAA-Batterien, wie auf dem Produkt angegeben. Verwenden Sie nicht den Lithiumakku und die AAA-Batterien gleichzeitig.

### **Automatische Abschaltung**

ISOtunes® Sport DEFY schaltet sich nach 4 Stunden Nutzung automatisch ab.

### **WARNUNGEN**

ISOtunes® XTRA 2.0 dämmt Umgebungslärm hervorragend. Daher sollte ISOtunes® Sport DEFY NICHT in Umgebungen getragen werden, in denen der Nutzer sich seiner Umgebung aus Sicherheitsgründen voll bewusst sein muss. Beispiel: NICHT beim Auto- oder Motorradfahren verwenden. Verwenden Sie sie ebenfalls NICHT beim Fahrradfahren im Freien. Der Nutzer muss gewährleisten, dass ISOtunes® Sport DEFY NUR in sicherer Umgebung verwendet werden.

Diese Kopfhörer dienen dem Schutz des Gehörs vor gefährlichem Lärm.

Die Hörbarkeit der Warnsignale an einem bestimmten Arbeitsplatz kann durch die Nutzung der Unterhaltungsfunktion beeinträchtigt werden.

Das Produkt kann durch gewisse chemische Substanzen beschädigt werden, z.B. Sonnenschutzmittel oder Insektenschutz. Weitere Informationen erhalten Sie beim Hersteller:

Das Anbringen von Hygieneabdeckungen der Polster kann die akustische Leistung der Kopfhörer beeinträchtigen.

### **Empfehlungen**

Der Träger sollte gewährleisten, dass das Produkt vor und nach der Nutzung richtig gereinigt und abgetrocknet wird. Lagerung in sauberem und trockenem Ort bei -20 °C bis 50 °C. Der Akku sollte vor längerer Lagerung nicht vollständig geleert werden.

Der Träger sollte gewährleisten, dass:

- der Gehörschutz gemäß den Angaben des Herstellers angepasst, eingestellt und gewartet wird.
- der Gehörschutz in lauter Umgebung stets getragen wird.

- der Gehörschutz regelmäßig auf Betriebsfähigkeit geprüft wird.

Wenn diese Empfehlungen nicht eingehalten werden, kann der Gehörschutz erheblich eingeschränkt werden.

Der Kopfhörer passt den Größen S M L.

Das Durchschnittsgewicht des Produkts beträgt 405 g.

Datum der Obsoleszenz: 3 Jahre ab Kaufdatum.

Nicht in explosionsfähiger Umgebung verwenden.

### **Zusätzliche Hinweise**

ISOtunes® Sport DEFY ist mit Bluetooth® V4.2 kompatibel. Wir garantieren nicht die Kompatibilität aller Funktionen auf allen Bluetooth®-fähigen Geräten. Bitte prüfen Sie die Bedienungsanleitung Ihres Geräts auf Kompatibilität und Funktionalität.

Bitte beachten Sie, dass der Gehörschutz eine Unterhaltungs-Audioanlage bietet. Der Kopfhörer bietet eine Begrenzung des Schalldruckpegels, der das Unterhaltungs-Audiosignal effektiv auf 85 dB(A) am Ohr limitiert. Diese Beschränkung wird für Bluetooth-Signaleingabe erhalten, die für Bluetooth A2DP, HFP und HSP Spezifikationen Standard sind. Das Produkt verfügt nicht über einen analogen Eingang.

Weitere Informationen über ISOtunes® Sport DEFY finden Sie auf [www.ISOtunes.com/DEFYManual](http://www.ISOtunes.com/DEFYManual). Für zusätzliche Informationen oder bei Fragen über ISOtunes® Produkte oder Ersatzteile und Zubehör wenden Sie sich bitte an das Support-Team.

Ersatzteile: Hygiene-Kit (Ohrpolster und Schaumstoffeinlagen)  
Modellnr: IT-83

### **Austausch der Ohrpolster:**

1. Stecken Sie den Finger zwischen Ohrpolster und Schaumstoff.
2. Ziehen Sie das Schaumstoffohrpolster von der Ohrmuschel ab.
3. Nehmen Sie die Schaumstoffeinlagen aus der Ohrmuschel.

4. Legen Sie neue Schaumstoffeinlagen ein.
5. Lassen Sie die neuen Ohrpolster auf der Ohrmuschel einrasten.

### **FCC**

Achtung: Der Nutzer wird gewarnt, dass Änderungen und Modifizierungen durch die für die Einhaltung der Bestimmungen verantwortlichen Partei dazu führen können, dass die Benutzungserlaubnis für dieses Gerät erlischt.

Hinweis: Dieses Gerät wurde getestet und ist in Einklang mit den Grenzwerten für ein digitales Gerät der Klasse A gemäß Abschnitt 15 der FCC-Bestimmungen. Diese Grenzwerte dienen dem angemessenen Schutz vor funktechnischen Störungen, wenn das Gerät in einem Wohngebiet betrieben wird. Dieses Gerät erzeugt, verwendet und kann Hochfrequenzenergie abstrahlen und Störungen des Funkverkehrs verursachen, falls es nicht entsprechend der Anleitung installiert oder verwendet wird. Es gibt jedoch keine Garantie, dass bei bestimmten Installationen keine Störungen auftreten. Falls diese Anlage Ihren Radio- oder Fernsehempfang stört, was durch ein- und ausschalten der Anlage festgestellt werden kann, sollte der Nutzer die Störung möglichst durch die eine oder andere der folgenden Maßnahmen beheben:

- Richten Sie die Empfangsantenne aus oder stellen Sie sie um.
- Vergrößern Sie den Abstand zwischen der Anlage und dem Empfänger.
- Schließen Sie die Anlage an eine Steckdose an, die auf einem anderen Kreislauf liegt, als der Empfänger.
- Wenn Sie Hilfe brauchen, wenden Sie sich an den Händler oder einen erfahrenen Radio-/Fernsehtechniker.

Die Ausrüstung entspricht den Grenzwerten für IC-Strahlenbelastung für nicht kontrollierte Umgebungen. Endnutzer müssen die spezifischen Betriebsanweisungen zur Einhaltung von Funkkommunikationsgeräten befolgen. Dieser Sender darf nicht mit oder bei anderen Antennen oder Sendern stehen oder betrieben werden.

### **GB & Europa**

uk-eurosupport@isotunesaudio.com

### **Nordamerika**

support@isotunesaudio.com

1-844-396-3737

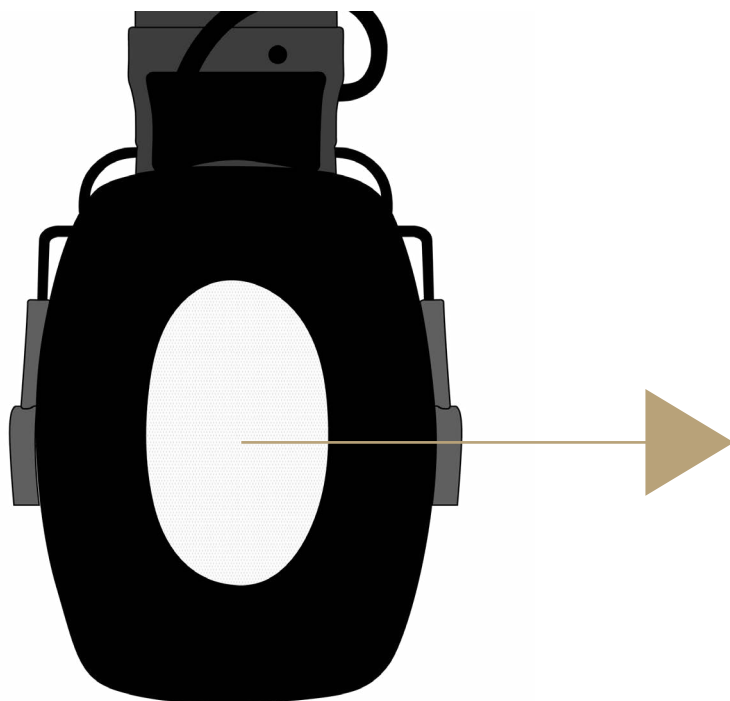
Montag bis Freitag 9 - 17 Uhr

# Fissaggio

L'auricolare è etichettato e regolabile per la vostra comodità.

1

Rimuovere gli inserti in schiuma bianca dai copricuffie



2

Controllare i copricuffie per le etichette di destra e di sinistra.



# Fissaggio

L'auricolare è etichettato e regolabile per la vostra comodità.

3

Regolare i copricuffie, la fascia e i fili in modo comodo e confortevole.



4

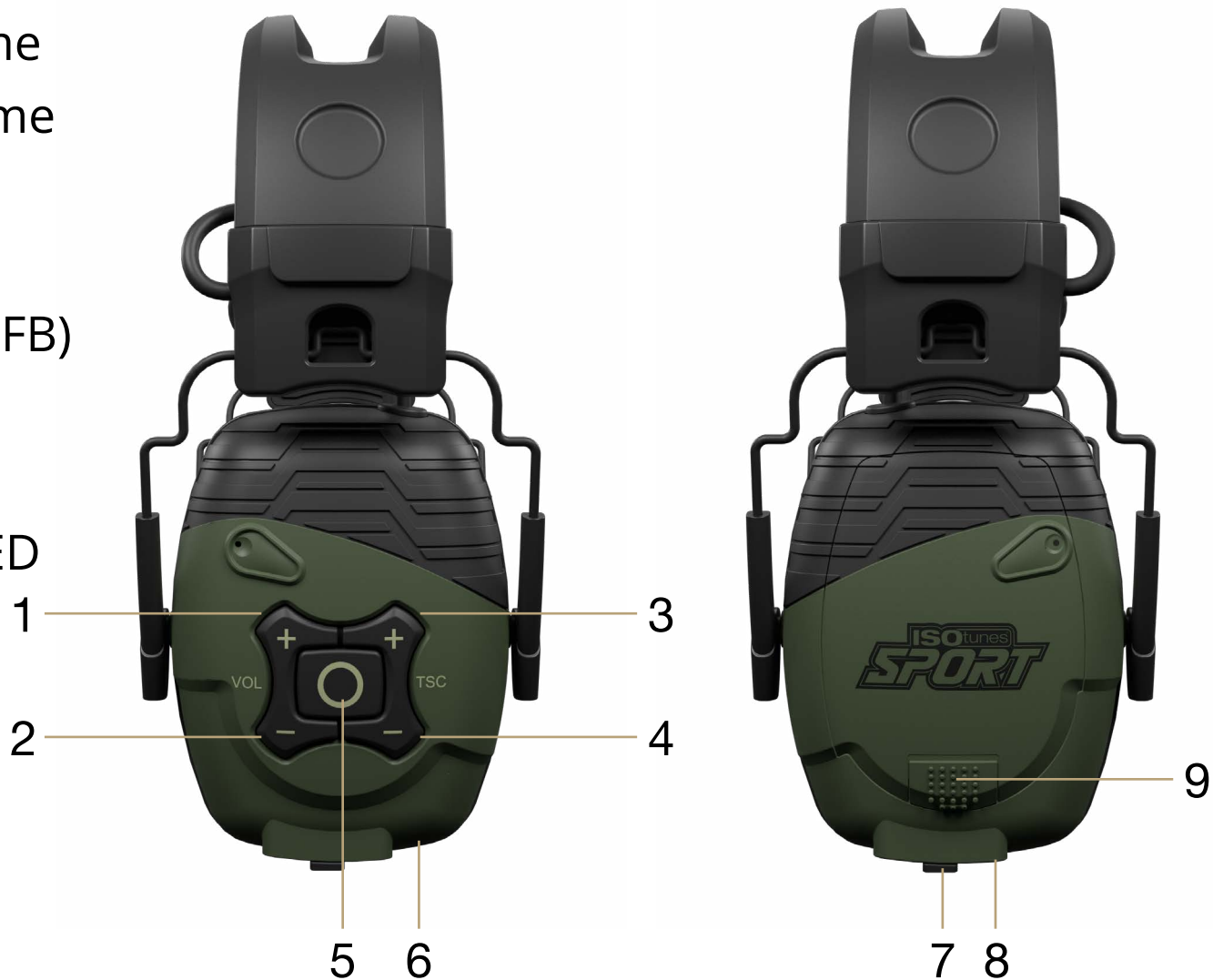
Assicurarsi che le etichette dei copricuffie corrispondano ai lati della testa e che siano posizionate sulle orecchie.





# Posizione dei comandi

1. Musica Aumento volume
2. Musica Riduzione volume
3. TSC Aumento volume
4. TSC Riduzione volume
5. Tasto multifunzione (MFB)
6. Microfono Bluetooth
7. Porta di ricarica
8. Indicatore di ricarica LED
9. Chiusura del coperchio della batteria



# Tecnologia Tactical Sound Control™

Questo prodotto include TSC - Tactical Sound Control. Si tratta di una tecnologia sui microfoni che permette all'utente di sentire il mondo che lo circonda, ma sempre ad un livello di ascolto sicuro. Quando il rumore ambientale supera un livello di ascolto sicuro, la tecnologia sui microfoni risponde immediatamente e si attenua ad un livello di sicurezza.

Questa funzione si attiva automaticamente quando il prodotto si accende. La regolazione del volume TSC è facile. Basta premere il tasto TSC Volume Su **(3)** e Giù **(4)**.



# Caricamento

Il pacco batterie al litio viene fornito completamente installato. Assicurarsi che il cavo del pacco batteria sia collegato alla porta del pacco batteria **(2)**.

La batteria al litio ha una carica di oltre 14 ore.

1

Far scorrere la chiusura del coperchio della batteria **(9)** "su" verso la fascia per rilasciare il coperchio della batteria.



2

Quando si utilizza il pacco batteria al litio, assicurarsi sempre che il cavo del pacco batteria sia collegato alla porta del pacco batteria nel vano batteria (si prega di notare che la batteria viene fornita completamente installata).



# Caricamento

L'auricolare può essere alimentato dalla batteria al litio ricaricabile inclusa. La batteria al litio ha una carica di oltre 14 ore.

3

Caricare con il cavo incluso collegandolo alla porta di ricarica **(7)**.

*\*La tensione di carica non deve superare i 5v.*



4

Quando il cavo è collegato alla porta di ricarica **(7)**, gli indicatori di carica LED **(8)** indicheranno quanto è carica la batteria al litio.

## Indicatori di ricarica LED



Rosso fisso = In carica  
(cavo inserito)



Verde fisso = Completamente carico  
(cavo inserito)

# Batterie

Le cuffie possono anche essere alimentate da 3 batterie AAA (non incluse). 3 batterie AAA hanno una carica di oltre 24 ore e dovranno essere sostituite.

1

Far scorrere la chiusura del coperchio della batteria (9) "su" verso la fascia per rilasciare il coperchio della batteria.



2

Rimuovere il pacco batterie al litio e posizionare le 3 batterie AAA. Quando si utilizzano batterie AAA, assicurarsi di aver orientato correttamente le batterie.



# Accensione/Spegnimento

**Accensione:** Premere e tenere premuto MFB (5) per 3 secondi (si sente "Accensione")

**Spegnimento:** Premere e tenere premuto MFB (5) per 3 secondi (si sente "Spegnimento")

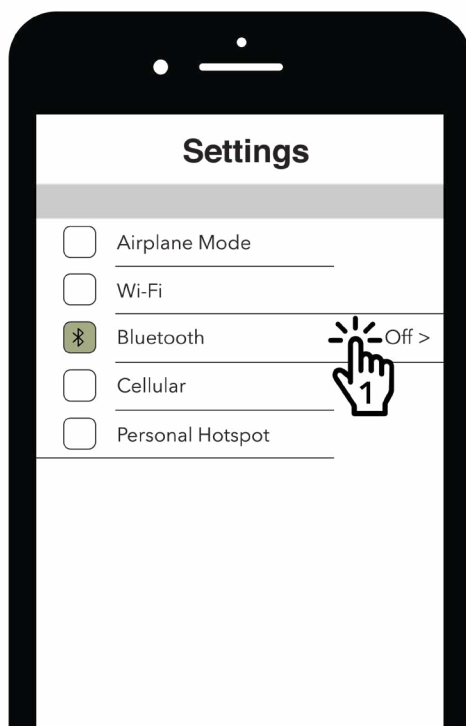


# Accoppiamento Bluetooth

Dopo l'accensione, le cuffie entrano automaticamente in modalità di accoppiamento. (si sentirà "Modalità di accoppiamento Bluetooth")

1

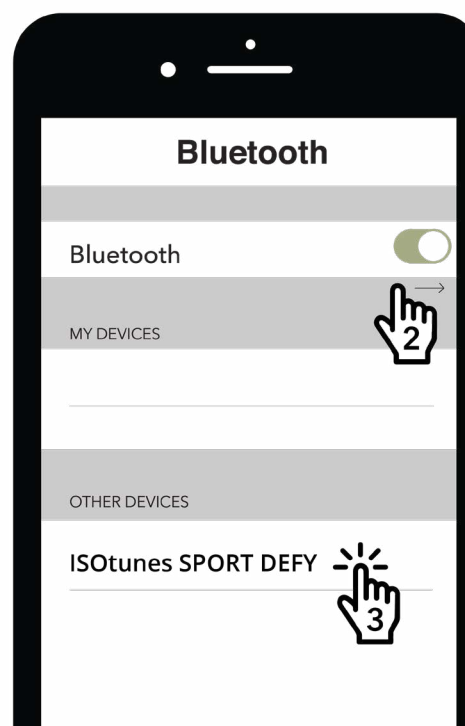
Aprire le impostazioni Bluetooth sul dispositivo.



2

Cercare "ISOtunes Sport DEFY". Eseguire l'abbinamento e connettersi.

Una volta connessi si sentirà "Bluetooth connesso."



# Modalità Dual Connect

Questo prodotto può essere collegato a due dispositivi contemporaneamente, come il telefono e il computer.

1. Eseguire l'abbinamento e la connessione al primo dispositivo come descritto in Abbinamento Bluetooth. Questo sarà il dispositivo A.
2. Premere e tenere premuto il tasto MFB **(5)** per 7 secondi fino a quando non si sente "Modalità di abbinamento Bluetooth" (si sentirà "Spegnimento", continuare a tenere premuto il tasto fino a quando si sente "Modalità di abbinamento Bluetooth")
3. Eseguire l'abbinamento e la connessione al secondo dispositivo come descritto in Abbinamento Bluetooth. Questo sarà il dispositivo B.
4. Sul dispositivo A, andare al menu Bluetooth e collegarsi manualmente a ISOtunes DEFY.
5. Entrambi i dispositivi sono ora collegati.

## Ripristino dell'abbinamento

Premere e tenere premuto il volume Su **(1)** e il volume Giù **(2)** per 4 secondi.

Il prodotto entrerà in modalità di abbinamento.



# Musica

**Riproduzione/Pausa:** Pressione singola breve MFB **(5)**

**Brano successivo:** Pressione doppia MFB **(5)**

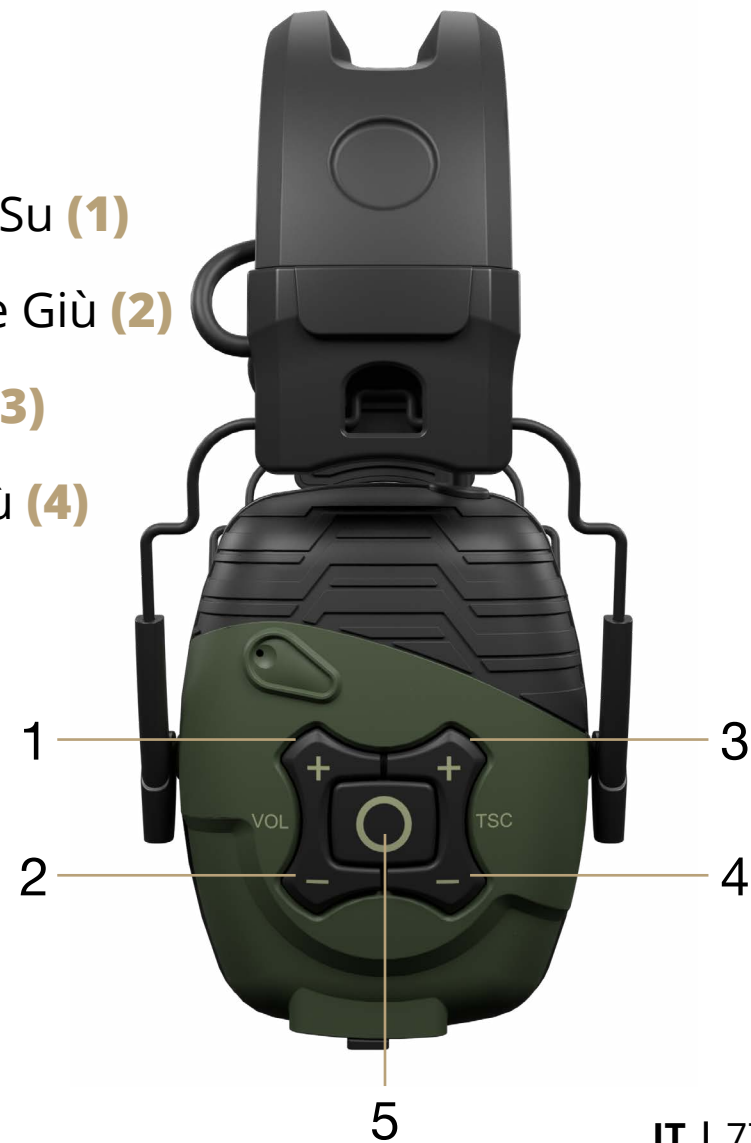
**Brano precedente:** Pressione triplicare MFB **(5)**

**Musica Volume Su:** Pressione singola breve Volume Su **(1)**

**Musica Volume Giù:** Pressione singola breve Volume Giù **(2)**

**TSC Volume Su:** Pressione singola breve Volume Su **(3)**

**TSC Volume Giù:** Pressione singola breve Volume Giù **(4)**



# Chiamate

**Rispondi/Interrompi una chiamata:** Pressione singola breve MFB (5)

**Rifiuta una chiamata:** Tenere premuto il tasto MFB (5)  
per 1 secondo

## Siri / Assistente Google

Tenere premuto il tasto MFB (5) per 1 secondo



## Fissaggio



### ANSI S3.19-1974 Table (NRR Table)

A1: Frequency, Hz	125	250	500	1000	2000	3150	4000	6300	8000	NRR
A2: Grand Mean Attenuation, dB	19.9	22.3	27.8	30.8	38.8	44.3	50.0	46.3	42.4	<b>25</b>
A3: Standard Deviation, dB	3.7	2.9	2.4	2.3	3.8	3.9	3.8	3.1	4.3	

### EN 352-1:2002 Table (SNR Table)

B1: Frequency (Hz)	125	250	500	1000	2000	4000	8000
B2: Mf (dB)	17.5	21.4	26.6	29.3	37.6	46.4	39.6
B3: sf (dB)	4.5	2.5	2.6	2.3	3.7	4.6	6.8
B4: APVf	13.0	18.9	24.0	27.0	33.9	41.8	32.8

B5: SNR=30dB    H=34dB    M=27dB    L=21dB    APVf=MF-SF (dB)

## Importante

Leggere, comprendere e seguire tutte le informazioni sulla sicurezza.

Il manuale completo può essere consultato su [ISOtunes.com/DEFYManual](http://ISOtunes.com/DEFYManual)

## Fissaggio

1. Rimuovere gli inserti in schiuma bianca dai copricuffie
2. Smontare i copricuffie
3. Posizionare il prodotto sulla testa
4. Regolare la posizione dei copricuffie allungando la fascia per garantire una buona aderenza sulle orecchie

## Introduzione

Grazie per aver acquistato le cuffie professionali antirumore ISOtunes® Sport DEFY. Queste cuffie sono state realizzate per l'uso in ambienti rumorosi e consentono di bloccare i rumori circostanti in modo da poter ascoltare musica o parlare a telefono con meno interruzioni. Questo prodotto è stato testato e soddisfa le norme europee di sicurezza EN352-1:2002 e le norme ANSI e NIOSH per protettori auricolari, con una classificazione a numero unico (SNR) di 30 dB con un indice di riduzione del rumore (NRR) di 25 dB. Dettagli completi sul test sono disponibili nella sezione Attenuazione dei rumori di questo opuscolo.

## OMOLOGAZIONE per l'attenuazione del rumore

ISOtunes® Sport DEFY è testato e approvato in conformità alle specifiche ANSI S3.19-1974 e alla norma europea di sicurezza EN 352-1:2002.

### ANSI S3.19-1974

Il livello di rumore che entra nell'orecchio di una persona quando sono indossati gli auricolari ISOtunes® Sport DEFY è vicino alla differenza tra il livello di rumore ambientale pesato A e il livello di riduzione del rumore (NRR). Se questo dispositivo non è indossato correttamente sarà ridotta l'efficacia nell'attenuare i rumori. Consultare le istruzioni allegate per corretta rione.

- A1: Frequenza (Hz)  
A2: Attenuazione media (dB)  
A3: Deviazione standard (dB)

### Esempio:

1. Il livello di rumore circostante misurato all'orecchio è 100 dB.
2. Il livello di riduzione del rumore dell'ISOtunes® Sport DEFY è 25 dB.
3. Il livello di rumore che entra nell'orecchio è quasi uguale a 75 dB.

Il livello di riduzione del rumore si basa sull'attenuazione di rumore continuo e potrebbe non essere un indicatore preciso della protezione raggiungibile contro rumore impulsivo, come spari di pistola.

### EN 352

- B1: Frequenza (Hz)  
B2: Attenuazione media (dB)  
B3: Deviazione standard (dB)  
B4: Valore di protezione presunto (APV) (dB)  
B5:

H = stima di protezione acustica per i suoni ad alta frequenza (f ≥ 2000Hz)

M = stima di protezione acustica per i suoni a media frequenza

(500 Hz < f < 2000Hz)

L = stima di protezione acustica per i suoni a bassa frequenza  
(f ≤ 500Hz)

### **Tecnologia SafeMax™**

ISOtunes® Sport DEFY incorpora la tecnologia SafeMax™, pertanto il suo volume di uscita è stato limitato a 85 decibel. I dispositivi ISONunes® con tecnologia SafeMax™ sono conformi alle norme OSHA, NIOSH e ANSI e, se indicato, soddisfano lo standard di sicurezza europeo EN352.

### **Tecnologia Tactical Sound Control™**

Questo prodotto include TSC - Tactical Sound Control. Si tratta di una tecnologia sui microfoni che permette all'utente di sentire il mondo che lo circonda, ma sempre ad un livello di ascolto sicuro. Quando il rumore ambientale supera un livello di ascolto sicuro, la tecnologia sui microfoni risponde immediatamente e si attenua ad un livello di sicurezza.

Questa funzione si attiva automaticamente quando il prodotto si accende. La regolazione del volume TSC è facile. Basta premere il tasto TSC Volume Su e Giù.

### **Pulizia e manutenzione**

- Pulire l'ISOtunes Sport DEFY strofinandolo delicatamente con un panno pulito e umido con sapone neutro.
- Non immergere la protezione auricolare in acqua.
- Non utilizzare detersivi abrasivi per pulire la protezione auricolare.

Se la protezione auricolare si bagna di sudore o pioggia, interrompere l'uso e girare le cuffie verso l'esterno per farle asciugare.

I cuscinetti auricolari e i rivestimenti in schiuma devono essere controllati regolarmente per verificare che non vi siano deterioramenti, rotture o altri danni.

### **Materiali:**

- Cuscino per le orecchie: PU + Memory Foam
- Alloggiamento: ABS
- Tastierino: Silicone
- Fascia per la testa: Acciaio inox + TPE
- Staffa per fascia: ABS

Questo prodotto presenta una batteria al litio. La batteria può essere ricar-

icata collegando un'estremità del cavo incluso in una presa USB e l'altra estremità alla porta di ricarica del prodotto situata sotto il coperchio in gomma sul fondo del copricuffie sinistro.

Le batterie possono essere controllate rimuovendo il coperchio della batteria. Far scorrere il blocco per sbloccare lo sportello.

La batteria al litio può essere rimossa dal prodotto e sostituita. Sollevare la batteria per rimuoverla. Scollegare il cavo della batteria. Per reinstallarla, inserire la batteria nel vano e collegare il cavo della stessa allo sportello della batteria. Assicurarsi che il cavo della batteria sia collegato alla porta del cavo della batteria per una corretta prestazione del prodotto.

In alternativa, tre batterie AAA possono alimentare il dispositivo. Rimuovere completamente le batterie al litio dal prodotto e installare le batterie AAA come indicato sul prodotto. Non utilizzare contemporaneamente le batterie al litio e batterie AAA.

### **Spegnimento automatico**

ISOtunes® Sport DEFY si spegne automaticamente dopo 4 ore di utilizzo.

### **AVVERTENZE**

ISOtunes® Sport DEFY svolge un lavoro eccellente bloccando i rumori esterni. Pertanto, ISONunes® Sport DEFY NON dovrebbe essere usato in ambienti dove le persone devono essere completamente coscienti dell'ambiente circostante per motivi di sicurezza personale. Ad esempio, NON usarli alla guida di una macchina o motocicletta. Semplicemente, NON usarli quando si è alla guida di una bicicletta. La persona è l'unico responsabile dell'uso di ISONunes® Sport DEFY SOLO in ambienti sicuri.

Queste cuffie servono per proteggere le orecchie dai rumori di pericolo.

L'udibilità dei segnali di avvertimento su uno specifico posto di lavoro può essere compromessa durante l'utilizzo dell'impianto di intrattenimento.

Questo prodotto può essere influenzato negativamente da alcune sostanze chimiche, come lo spray per insetti e la protezione solare. Ulteriori informazioni possono essere richieste al produttore.

L'applicazione di protezioni igieniche ai cuscinetti può influire sulle prestazioni acustiche dei paraorecchie.

## Suggerimenti

L'utilizzatore deve assicurarsi che il prodotto sia correttamente pulito e asciutto prima e dopo l'uso. Il prodotto deve essere conservato in un luogo pulito e asciutto tra -20 °C e 50 °C. La batteria non deve essere completamente scarica prima di un lungo periodo di non utilizzo.

Chi lo indossa deve assicurarsi che:

- La protezione auricolare sia montata, regolata e sottoposta a manutenzione secondo le istruzioni del produttore.
- La protezione auricolare sia sempre indossata in ambienti rumorosi.
- La protezione auricolare sia regolarmente ispezionata per verificarne la funzionalità.

Se queste raccomandazioni non sono rispettate, il livello di protezione della protezione auricolare sarà gravemente compromesso.

La gamma di dimensioni per le cuffie è S M L.

La massa media del prodotto è di 405g.

Data di obsolescenza: 3 anni dalla data di acquisto.

Non utilizzare in atmosfere esplosive.

## Altre note

ISOtunes® Sport DEFY è conforme a Bluetooth® V4.2. Non garantiamo la compatibilità di tutte le funzioni su tutti i dispositivi abilitati Bluetooth®. Consultare il manuale d'uso del dispositivo in merito alla compatibilità e alla funzionalità.

Si prega di notare che la protezione auricolare fornisce un impianto audio per l'intrattenimento. La cuffia offre una limitazione del livello di pressione sonora del segnale audio che limita il segnale audio di intrattenimento a 85 dB(A) effettivo all'orecchio. Questo limite è mantenuto per gli ingressi di segnale Bluetooth che sono standard per le specifiche Bluetooth A2DP, HFP e HSP. Su questo prodotto non c'è un ingresso di linea analogico.

Per ulteriori informazioni su ISOtunes® Sport DEFY, visitare [www.ISOtunes.com/DEFYManual](http://www.ISOtunes.com/DEFYManual). Per ricevere informazioni generali o nel caso di domande su prodotti, parti di ricambio e accessori ISOtunes®, contattare il nostro team di supporto.

Parti di ricambio: Kit di igiene (cuscinetti auricolari e inserti in schiuma)

Numero di modello: IT-83

## Sostituire i cuscinetti auricolari.

1. Mettere il dito tra i cuscinetti auricolari e la schiuma.
2. Tirare il cuscinetto auricolare in schiuma dalla cuffia.
3. Rimuovere gli inserti in schiuma nella cuffia.
4. Installare i nuovi inserti in schiuma
5. Inserire il nuovo cuscinetto auricolare sulla cuffia

## FCC

Precauzione: L'utente è consapevole che cambiamenti e modifiche, non espressamente approvate, potrebbero privare l'utente dell'autorità di operare l'apparecchiatura.

Nota: Questo dispositivo è stato collaudato ed è risultato conforme ai limiti stabiliti per i dispositivi digitali di Classe B, relativi alla Parte 15 delle Normative FCC. Tali limiti sono stabiliti per garantire un'adeguata protezione da dannose interferenze in un'installazione residenziale. Questa apparecchiatura genera, utilizza e può emettere frequenze radio e, qualora non sia installata e utilizzata in conformità con le istruzioni fornite, può causare interferenze pericolose alle comunicazioni radio. Ciononostante non ci sono garanzie che tali interferenze non si possano verificare in alcuna installazione specifica. Se questa apparecchiatura provoca interferenze dannose alla ricezione radio o TV, verificabile dall'accensione e dallo spegnimento dell'apparecchiatura, si consiglia all'utente di provare a correggere l'interferenza seguendo una o più misure riportate qui sotto:

- Orientare nuovamente o localizzare l'antenna in una nuova posizione.
- Aumentare la distanza che separa il dispositivo e l'apparecchio ricevente.
- Collegare il computer ad una presa di corrente su un circuito diverso da quello a cui il ricevitore è collegato.
- Consultare il rivenditore o un tecnico Radio/TV specializzato per aiuto.

Questa apparecchiatura è conforme ai limiti di esposizione alle radiazioni RF dell'FCC stabiliti per un ambiente non controllato. Gli utenti finali devono seguire le istruzioni operative specifiche per soddisfare la conformità all'esposizione alle radiofrequenze. Questo trasmettitore non deve essere collocato o funzionare insieme ad altre antenne o trasmettitori.

**Regno Unito e Europa**

uk-eurosupport@isotunesaudio.com

**America del Nord**

support@isotunesaudio.com

1-844-396-3737

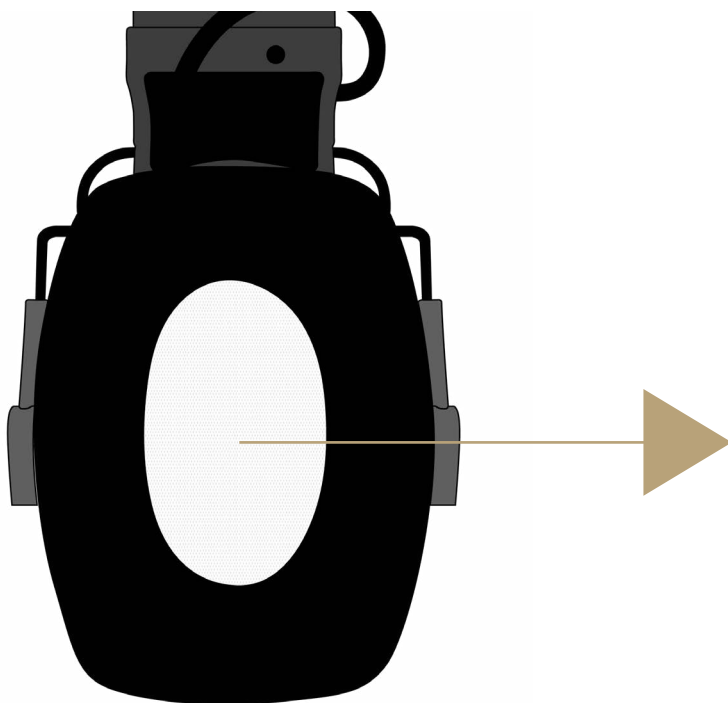
Lunedì-Venerdì 9-5 ET

# Passform

Headsetet är märkt och anpassningsbart för din bekvämlighet.

1

Ta bort den vita skumdynan från vardera öronkåpan.



2

Kontrollera öronkåporna för höger och vänster markeringar.



# Passform

Headsetet är märkt och anpassningsbart för din bekvämlighet.

3

Justera öronkåporna, huvudbandet och kablarna för en åtsittande men bekväm passform.



4

Se till att markeringarna för öronkåporna motsvarar placeringen på ditt huvud och placera över öronen





# Kontrollernas Placeringar

1. Musik Volym upp
2. Musik Volym ner
3. TSC Volym upp
4. TSC Volym ner
5. Multi-funktionsknapp (MFB)
6. Bluetooth Mikrofon
7. Laddningsport
8. LED laddningsindikator
9. Batterilucka



# Tactical Sound Control™ -Teknologi

Denna produkt använder TSC - Tactical Sound Control-teknologi. Det är en mikrofonteknik som gör att användaren kan höra vad som pågår i världen omkring dem men alltid på en säker lyssningsnivå. När omgivande buller överskrider en säker lyssningsnivå reagerar mikrofontekniken omedelbart och dämpas till en säker nivå.

Den här funktionen aktiveras automatiskt när produkten slås på. Det är enkelt att justera TSC-volymen. Tryck bara på TSC upp **(3)** och ned **(4)** -volymknapparna.



# Laddning

Litiumbatteriet medföljer förinstallerat. Se till att batterikabeln är ansluten till batteriporten (2). Litiumbatteriet håller en 14+ timmars laddning.

1

Skjut batteriluckan (9) "uppåt" mot huvudbandet för att frigöra batteriluckan.



2

Vid användning av litiumbatteriet ska du alltid se till att batterikabeln är ansluten till batteriporten i batterifacket (obs! batteriet medföljer förinstallerat).



# Laddning

Headset kan användas med det medföljande laddbara litiumbatteriet. Litiumbatteriet håller en 14+ timmars laddning.

3

Ladda med den medföljande kabeln genom att ansluta den till laddningsporten (7).

*\*Laddningsspänning får inte överstiga 5v.*



4

När kabeln är ansluten till laddningsporten (7) visar LED laddningsindikatorn (8) till vilken nivå litiumbatteriet har laddats.

## LED Laddningsindikatorer



Fast röd = Laddar  
(kabeln ansluten)



Fast grön = Helt laddad  
(kabeln ansluten)

# Batterier

Headsetet kan även användas med 3 AAA-batterier (medföljer ej).

3 AAA-batterier håller en 24+ -timmars laddning och kommer att behöva ersättas.

1

Skjut batteriluckan (9) "uppåt" mot huvudbandet för att frigöra batteriluckan.



2

Ta bort litiumbatteriet och ersätt dem med 3 AAA-batterier. Vid användning av AAA-batterier ska du se till att infoga dem åt rätt håll.



# Power On/Off

**Power On:** Tryck och håll ner MFB (5) i 3 sekunder  
(du kommer att höra "Power On")

**Power Off:** Tryck och håll ner MFB (5) i 3 sekunder  
(du kommer att höra "Power Off")



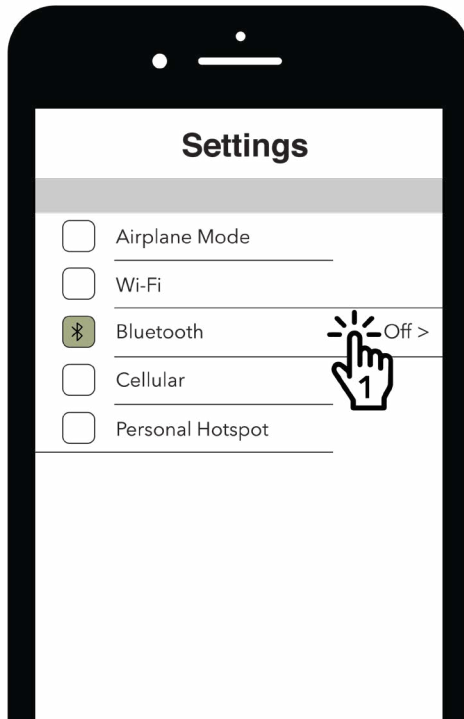
5

# Bluetooth-parning

När du har slagit på hörlurarna påbörjas parningsläge automatiskt.  
(du kommer att höra "Bluetooth Pairing Mode")

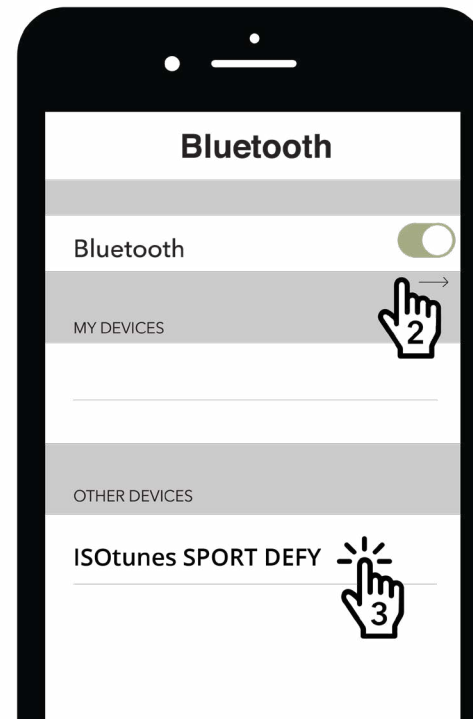
1

Öppna Bluetooth-inställningarna på enheten.



2

Sök efter "ISOtunes Sport DEFY."  
Parra och anslut.  
Efter anslutning kommer du att höra  
"Bluetooth Connected."



# Dubbelt anslutningsläge

Produkten kan ansluta till två enheter på samma gång som t.ex. din mobil och dator.

1. Para och anslut till den första enheten enligt anvisningarna Bluetooth-parning. Detta blir enhet A.

2. Tryck och håll ner MFB **(5)** i 7 sekunder tills du hör "Bluetooth Pairing Mode" (du kommer att höra "Power Off". Håll ner knappen tills du hör "Bluetooth Pairing Mode")

3. Para och anslut till den andra enheten enligt beskrivningarna Bluetooth-parning. Detta blir enhet B.

4. På enhet A går du till Bluetooth-menyn och ansluter manuellt till ISOtunes Sport DEFY.

5. Båda enheterna är nu anslutna.

## Parning återställ

Tryck och håll ner Volym upp **(1)** och Volym ner **(2)** i 4 sekunder.

Produkten hamnar i parningsläge.



# Musik

**Play/Paus:** Tryck en gång på MFB (5)

**Nästa spår:** Tryck två gånger på MFB (5)

**Föregående spår:** Tryck trippel- på MFB (5)

**Musik Volym upp:**

Tryck snabbt en gång på Volym upp (3)

**Musik Volym ner:**

Tryck snabbt en gång på Volym ner (4)

**TSC Volym upp:**

Tryck snabbt en gång på Volym upp (3)

**TSC Volym ner:**

Tryck snabbt en gång på Volym ner (4)



# Samtal

**Svara/Avsluta samtal:** Tryck snabbt en gång på MFB (5)

**Avvisa samtal:** Tryck och håll ner MFB (5) i 1 sekund

## Siri / Google Assistant

Tryck och håll ner MFB (5) i 1 sekund



## Passform



### ANSI S3.19-1974 Table (NRR Table)

A1: Frequency, Hz	125	250	500	1000	2000	3150	4000	6300	8000	NRR
A2: Grand Mean Attenuation, dB	19.9	22.3	27.8	30.8	38.8	44.3	50.0	46.3	42.4	<b>25</b>
A3: Standard Deviation, dB	3.7	2.9	2.4	2.3	3.8	3.9	3.8	3.1	4.3	

### EN 352-1:2002 Table (SNR Table)

B1: Frequency (Hz)	125	250	500	1000	2000	4000	8000
B2: Mf (dB)	17.5	21.4	26.6	29.3	37.6	46.4	39.6
B3: sf (dB)	4.5	2.5	2.6	2.3	3.7	4.6	6.8
B4: APVf	13.0	18.9	24.0	27.0	33.9	41.8	32.8

B5: SNR=30dB    H=34dB    M=27dB    L=21dB    APVf=MF-SF (dB)

## Viktigt

Läs, förstå och följ alla säkerhetsanvisningar.

Fullständig handbok kan hittas på [ISOtunes.com/DEFYManual](https://www.isotunes.com/DEFYManual)

## Passform

1. Ta bort de vita skuminlägggen från båda öronkåporna
2. Dra isär öronkåporna
3. Placera produkten på huvudet
4. Justera öronkåporna genom att förlänga huvudbandet för att säkerställa en bra passform runt öronen

## Inledning

Tack för ditt inköp av ISOtunes® Sport DEFY Professionella ljudiso-

lerande hörlurar. Dessa hörlurar är speciellt konstruerade för användning i de mest högljudda miljöer – vilket låter dig blockera mycket av det omgivande ljudet så att du kan lyssna på din musik eller tala i telefonen med färre störningar. Produkten har testats och uppfyller Europeiska Säkerhetsstandarderna EN352-1:2002 och ANSI- & NIOSH- standarderna för hörselskydd med en Single Number Rating (SNR) på 30 dB och en ljuddämpande rankning (NRR) på 25 dB. Fullständiga testuppgifter finns tillgängliga i avsnittet Ljuddämpning i detta häfte.

## Ljuddämpning GODKÄNNANDE

ISOtunes® Sport DEFY är testad och godkänd enligt ANSI S3.19-1974 specifikationer samt Europeisk Säkerhetsstandard EN 352-1:2002.

## ANSI

### S3.19-1974

Ljudnivån som kommer in i en persons öra när ISOtunes® Sport DEFY hörlurarna används enligt anvisningarna är ungefär skillnaden mellan miljöns A-tyngda ljudnivå och ljuddämpningsnivån (NRR). Felaktig passform av enheten kommer att minska dess effektivitet att dämpa ljud. Se bifogade anvisningar för korrekt passform.

A1: Frekvens (Hz)

A2: Genomsnittlig ljuddämpning (dB)

A3: Standardavvikelse (dB)

Exempel:

1. Den omgivande ljudnivån mätt vid örat är 100 dB.
2. NRR hos ISOtunes Sport DEFY är 25 dB.
3. Den ljudnivå som kommer in i örat är ungefär lika med 75 dB.

Observera att NRR är baserat på dämpning av kontinuerligt ljud och kanske inte är en exakt indikator av skyddet som uppnås mot impulsvikt ljud såsom skottlossning.

## EN 352

B1: Frekvens (Hz)

B2: Genomsnittlig ljuddämpning (dB) B3: Standardavvikelse (dB)

B4: Antaget skyddsvärde (APV) (dB)

B5:

H = Beräknat hörselskydd för högfrekvensljud  
( $f \geq 2000\text{Hz}$ )

M = Beräknat hörselskydd för medelfrekvensljud  
( $500\text{ Hz} < f < 2000\text{Hz}$ )

L = Beräknat hörselskydd för lågfrekvensljud  
( $f \leq 500\text{Hz}$ )

### SafeMax™-teknologi

ISOtunes® Sport DEFY använder SafeMax™ -teknologi. Därför begränsas volymens utmatning till 85 decibel. ISOtunes® -enheter med SafeMax™ -teknologi är OSHA-, NIOSH-, och ANSI- förenliga och, när betecknade, uppfyller europeisk säkerhetsstandard EN352.

### Tactical Sound Control™ -teknologi

Denna produkt använder TSC - Tactical Sound Control-teknologi. Det är en mikrofonteknik som gör att användaren kan höra vad som pågår i världen omkring dem men alltid på en säker lyssningsnivå. När omgivande buller överskrider en säker lyssningsnivå reagerar mikrofontekniken omedelbart och dämpas till en säker nivå.

Den här funktionen aktiveras automatiskt när produkten slås på. Det är enkelt att justera TSC-volymen. Tryck bara på TSC upp och ned-volymknapparna.

### Rengöring och underhåll

- Rengör dina ISOtunes Sport DEFY genom att torka av dem med en ren, fuktig trasa och mildt rengöringsmedel.
- Sänk inte ner hörselskyddet i vatten.
- Använd inte slipande rengöringsmedel för att rengöra hörselskyddet.

Avbryt användning och vänd hörselskyddet ut och in och låt det torka om det blir vått från svett eller regn.

Örondynorna och skuminläggen ska inspekteras regelbundet för försämringar, sprickor eller andra skador.

### Material

- Örondyna: PU + Minnesskum
- Behållare: ABS
- Knappsats: Silikon
- Huvudband: Stainless Steel + TPE
- Huvudbandsfäste: ABS

Produkten levereras med ett litiumbatteripaket. Batteripaketet kan laddas genom att ansluta den ena änden av den medföljande kabeln till ett USB-uttag och den andra änden i produktens laddningsport under gummilocket på undersidan av vänster öronkåpa.

Batterierna kan kontrolleras genom att ta bort batteriluckan. Skjut på spärren för att frigöra locket.

Litiumbatteripaketet kan tas bort från produkten och bytas ut. Lyft ut batteriet. Koppla bort batterikabeln. För att återinstallera placerar du batteripaketet i facket och anslut batterikabeln i batteriporten. Se till att batterikabeln är ansluten till batteripaketets kabelport för korrekt produktprestanda.

Alternativt kan tre AAA-batterier driva enheten. Ta ut litiumbatteripaketet helt från produkten och installera AAA-batterierna som anges på produkten. Använd inte litiumbatteripaketet och AAA-batterierna samtidigt.

### Automatisk Power Off

ISOtunes® Sport DEFY stängs automatiskt av efter 4 timmars användning.

### VARNINGAR

ISOtunes® Sport DEFY blockerar omringande ljud utmärkt. Därför

bör ISOtunes® Sport DEFY INTE användas i miljöer där användarna måste vara fullt medvetna om omgivningarna på grund av personliga säkerhetsskäl. Använd dem till exempel INTE när du kör bil eller motorcykel. Använd dem heller INTE när du cyklar utomhus. Användaren är ensam ansvarig för att försäkra att ISOtunes® Sport DEFY ENDAST används i säkra miljöer.

Dessa öronskydd är avsedda att skydda dina öron mot farligt ljud.

Hörbarheten för varningssignaler på en viss arbetsplats kan försämrans när du använder underhållningsfunktionen.

Produkten kan påverkas negativt av vissa kemiska ämnen, såsom solskyddsmedel och insektssprej. Ytterligare information kan begäras från tillverkaren.

Hygienöverdrag på dynorna kan påverka hörselskyddens akustiska prestanda.

### Rekommendationer

Användaren ska se till att produkten är ordentligt rengjord och torr före och efter användning. Förvaring ska ske på en ren och torr plats mellan -20 °C och 50 °C. Batteriet får inte urladdas helt före långvarig förvaring.

Användaren bör se till att:

- Hörselskyddet anpassas, justeras och under hålls i enlighet med tillverkarens instruktioner.
- Hörselskyddet alltid används i bullriga omgivningar.
- Hörselskyddet kontrolleras regelbundet för användbarhet.

Om dessa rekommendationer inte följs kommer skyddet från hörselskyddet att försämrans väsentligt.

Öronskyddet levereras i storlekar S M L.

Produktens genomsnittliga vikt är 405g.

Inaktiveringsdatum: 3 år från inköpsdatumet.

Får inte användas i explosiva miljöer.

### Ytterligare anteckningar

ISOtunes® Sport DEFY är förenlig med Bluetooth® V4.2. Vi garanterar inte förenlighet med alla funktioner på alla Bluetooth®-aktiverade enheter. Kontrollera din enhets bruksanvisning för kompatibilitet och funktionalitet.

Observera att hörselskyddet har en underhållningsfunktion. Öronkåpan har en ljudtrycksbegränsning för ljudsignaler som begränsar underhållningssignalen till 85 dB(A) som går in i örat. Gränsen bibehålls för bluetooth-signalingångar som är standard för Bluetooth A2DP-, HFP- och HSP-specifikationer. Det finns ingen analog linjeingång på den här produkten.

För ytterligare information om ISOtunes® Sport DEFY besöker du [www.ISOtunes.com/DEFYManual](http://www.ISOtunes.com/DEFYManual). För ytterligare information eller frågor om ISOtunes® -produkter eller reservdelar och tillbehör kontaktar du vårt supportteam.

Reservdelar: Hygienkit (örondynor och skuminlägg) Modellnummer: IT-83

Byt ut örondynor.

1. Placera fingret mellan örondynorna och skummet.
2. Dra bort skumdynan från öronkåpan.
3. Ta bort skuminläggen från öronkåpan.
4. Installera de nya skuminläggen
5. Fäst den nya örondynan på plats på öronkåpan

### FCC

Varning: Användaren varnas för att ändringar eller modifieringar som inte uttryckligen godkänts av parten som ansvarar för efterlevnad kan ogiltighetsförklara användarens behörighet att använda utrustningen.

Obs! Denna utrustning har testats och anses överensstämma med gränserna för en digital enhet av klass B i enlighet med avsnitt 15 inom FCC-reglerna. Dessa gränser är utformade för att ge rimligt skydd mot skadliga störningar i en bostadsinstallation. Utrustningen skapar, använder och kan utstråla radiofrekvensenergi och kan, om

den inte installeras och används i enlighet med instruktionerna, orsaka skadliga störningar av radiokommunikation. Det finns dock ingen garanti för att störningar inte kommer att inträffa i en viss installation. Om utrustningen orsakar skadliga störningar av radio- eller tv-mottagning, vilket kan avgöras genom att stänga av och på utrustningen, uppmanas användaren att försöka korrigera störningarna genom en eller flera av följande åtgärder:

- Vrid på eller flytta mottagarantennen.
- Öka avståndet mellan utrustningen och mottagaren.
- Anslut utrustningen till ett uttag på en annan krets än den som mottagaren är ansluten till.
- Kontakta återförsäljaren eller en erfaren radio- / TV-tekniker för att få hjälp.

Denna utrustning uppfyller FCCs gränser för RF-strålningsexponering som anges för en okontrollerad miljö. Slut användare måste följa de specifika bruksanvisningarna för att uppfylla kraven för RF-exponering. Sändaren får inte placeras eller användas tillsammans med någon annan antenn eller sändare.

### **Storbritannien & Europa**

uk-eurosupport@isotunesaudio.com

### **Nordamerika**

support@isotunesaudio.com

1-844-396-3737

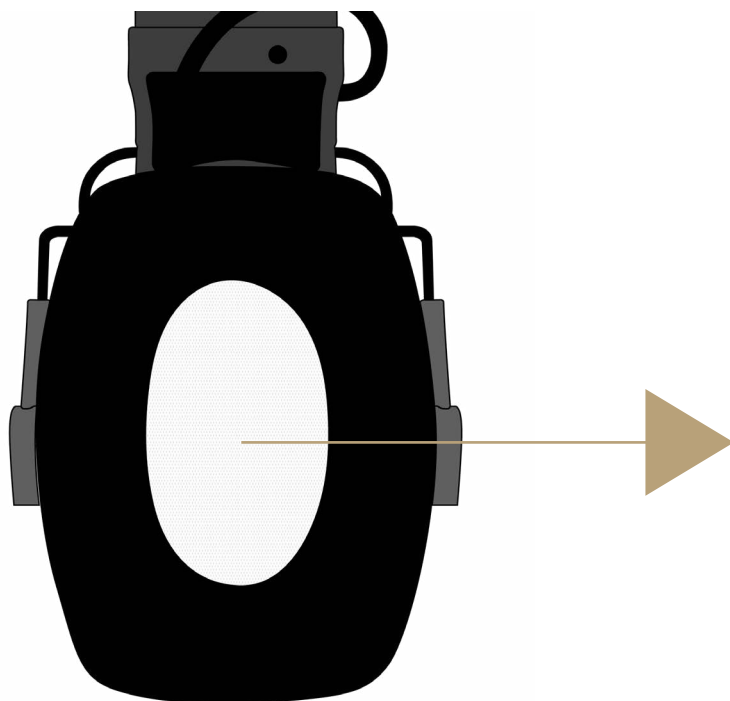
måndag-fredag kl. 09.00-17.00 ET

# Montering

Headsettet er mærket og justerbart for din bekvemmelighed.

1

Fjern den hvide skumpolstring fra hver ørekop.



2

Kontroller ørepuderne for højre og venstre etikette.



# Montering

Headsettet er mærket og justerbart for din bekvemmelighed.

3

Juster ørepropperne, pandebåndet og ledningerne til en tæt, men behagelig pasform.



4

Sørg for, at ørestykke etiketterne svarer til den korrekte side på dit hoved og placeres på dine ører.





# Placering af kontrolfunktioner

1. Musik Lydstyrke Op
2. Musik Lydstyrke Ned
3. TSC Lydstyrke Op
4. TSC Lydstyrke Ned
5. Multi-Funktion Knap (MFB)
6. Bluetooth Mic
7. Opladningsport
8. LED-opladningsindikator
9. Batteridæksellås



# Tactical Sound Control™ Teknologi

Dette produkt har TSC – Tactical Sound Control. Dette er en mikrofonteknologi, der giver brugeren mulighed for at høre verden omkring dem, men altid på et sikkert lyd-niveau. Når omgivende støj bryder et sikkert lydniveau, reagerer mikrofonteknologien omgående og dæmper det til et sikkert niveau.

Denne funktion starter automatisk, når produktet tændes. Det er let at justere TSC lydstyrken. Tryk blot på TSC Volume Up **(3)** og Down **(4)** knappen.



# Opladning

Litiumbatteripakken er fuldt installeret. Sørg for, at batteripakken er tilsluttet porten til batteripakken (2). Litiumbatteripakken har en opladning på over 14 timer.

1

Skub batteridæksellåsen (9) "op" mod hovedbåndet for at frigøre batteridækslet.



2

Når du bruger Litiumbatteripakken, skal du altid sørge for, at batteripakkets kabel er sat i batteripakkeporten i batterirummet (bemærk, at batteriet er fuldt installeret).



# Opladning

Headsettet kan bruges af den medfølgende genopladelige litiumbatteripakke. Litiumbatteripakken har en opladning på over 14 timer.

3

Oplad venligst med det medfølgende kabel ved at slutte det til opladningsporten (7).

*\*Opladningsspænding bør ikke overstige 5v.*



4

Mens kablet er tilsluttet opladningsporten (7), vil LED-opladningsindikatorer (8) fortælle dig, hvor opladet Litiumbatteriet er.

## LED Opladningsindikatorer



Rødt = Oplader  
(Kabel tilsluttet)



Grøn = Fuldt Opladet  
(Kabel tilsluttet)

# Batterier

Headsettet kan også drives af 3 AAA-batterier (medfølger ikke). 3 AAA-batterier holder op til 24+ timer og skal udskiftes.

1

Skub batteridæksellåsen (9) "op" mod hovedbåndet for at frigøre batteridækslet.



2

Fjern litiumbatteripakken, og placer dine 3 AAA-batterier. Når du bruger AAA-batterier, skal du sikre dig, at batterierne sidder korrekt.



# Power On/Off

**Power On:** Tryk og hold MFB (5) nede i 3 sekunder  
(du vil høre "Power On")

**Power Off:** Tryk og hold MFB (5) nede i 3 sekunder  
(du vil høre "Power Off")



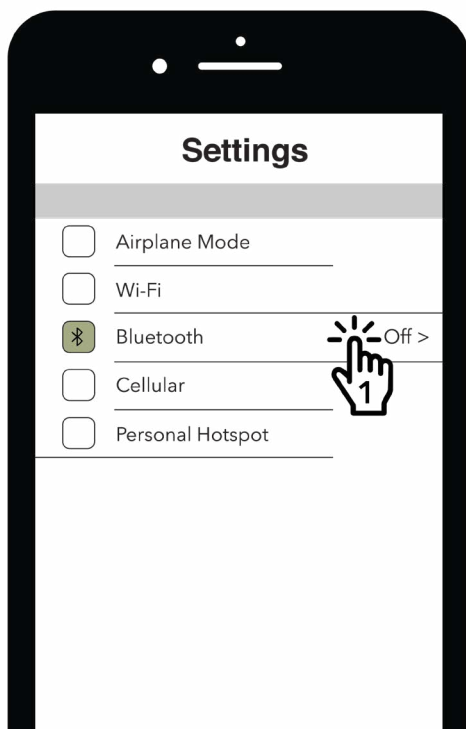
5

# Bluetooth-Parring

Efter hovedtelefonerne er tændt går de automatisk i parringstilstand.  
(du vil høre "Bluetooth Pairing Mode")

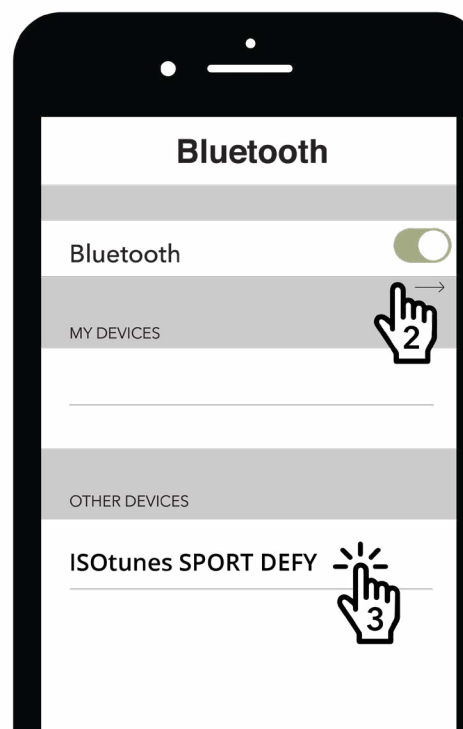
1

Åbn dine Bluetooth-indstillinger  
på din enhed.



2

Søg efter "ISOtunes Sport DEFY".  
Par og tilslut.  
Når du er tilsluttet, vil du høre "Bluetooth  
Connected."



# Dual Connect Mode

Dette produkt kan oprette forbindelse til to enheder på samme tid, f.eks. din telefon og din computer.

1. Par og opret forbindelse til din første enhed som beskrevet i Bluetooth-parring. Dette vil være enhed A.

2. Tryk og hold MFB **(5)** nede i 7 sekunder, indtil du hører "Bluetooth Pairing Mode" (du vil høre Power Off, hold knappen nede indtil du hører "Bluetooth Pairing Mode")

3. Par og tilslut til den anden enhed som beskrevet i Bluetooth-parring. Dette vil være enhed B.

4. På enhed A skal du gå til Bluetoothmenuen og oprette forbindelse manuelt til ISOtunes Sport DEFY.

5. Begge enheder er nu tilsuttet.

## Parring Reset

Tryk og hold lydstyrke Op **(1)** og lydstyrken Ned **(2)** i 4 sekunder.

Produktet går i parringstilstand.



# Musik

**Play/Pause:** Kort enkelt tryk MFB (5)

**Næste nummer:** Dobbelt tryk MFB (5)

**Forrige Nummer:** Tredobbelt tryk MFB (5)

**Musik Lydstyrke Op:** Kort enkelt tryk Lydstyrke Op (1)

**Musik Lydstyrke Ned:** Kort enkelt tryk Lydstyrke Ned (2)

**TSC Lydstyrke Op:** Kort enkelt tryk Lydstyrke Op (3)

**TSC Lydstyrke Ned:** Kort enkelt tryk Lydstyrke Ned (4)



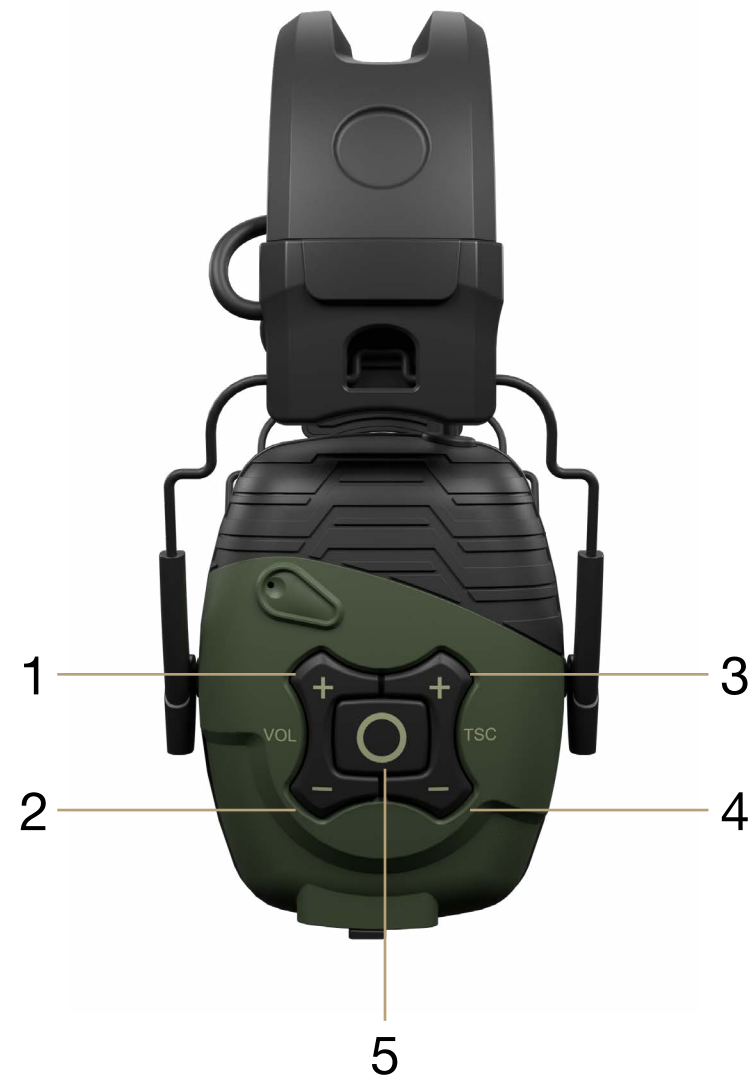
# Opringning

**Besvar / afslut opkald:** Kort enkelt tryk MFB (5)

**Afvis Opkald:** Tryk og hold MFB (5) nede i 1 sekund

## Siri / Google Assistant

Tryk og hold MFB (5) nede i 1 sekund



## Montering



### ANSI S3.19-1974 Table (NRR Table)

A1: Frequency, Hz	125	250	500	1000	2000	3150	4000	6300	8000	NRR
A2: Grand Mean Attenuation, dB	19.9	22.3	27.8	30.8	38.8	44.3	50.0	46.3	42.4	<b>25</b>
A3: Standard Deviation, dB	3.7	2.9	2.4	2.3	3.8	3.9	3.8	3.1	4.3	

### EN 352-1:2002 Table (SNR Table)

B1: Frequency (Hz)	125	250	500	1000	2000	4000	8000
B2: Mf (dB)	17.5	21.4	26.6	29.3	37.6	46.4	39.6
B3: sf (dB)	4.5	2.5	2.6	2.3	3.7	4.6	6.8
B4: APVf	13.0	18.9	24.0	27.0	33.9	41.8	32.8

B5: SNR=30dB    H=34dB    M=27dB    L=21dB    APVf=MF-SF (dB)

## Vigtig

Læs, forstå og følg alle sikkerhedsoplysninger.

Fuld manual findes på [ISOtunes.com/DEFYManual](http://ISOtunes.com/DEFYManual)

## Montering

1. Fjern hvide skumindsatser fra hver ørepude
2. Træk ørepudderne fra hinanden
3. Placer produktet på hovedet
4. Juster ørepuddernes position ved at udvide hovedbåndet for at sikre en god pasform omkring ørerne

## Introduktion

Tak fordi du købte ISOtunes® Sport DEFY Professional støjsol-

ende høretelefoner. Disse høretelefoner er specielt designet til brug i støjende omgivelser - så du kan blokere for meget af den omgivende støj, så du kan lytte til din musik eller tale i telefonen med færre afbrydelser. Dette produkt er testet og opfylder den europæiske sikkerhedsstandard EN352-1: 2002 og ANSI & NIOSH-standarderne for et hørevern med en SNR (Single Number Rating) på 30 dB med en Noise Reduction Rating (NRR) på 25 dB. Alle testoplysningerne findes i afsnittet Støjdæmpning i denne pjece.

## GODKENDELSE af støjdæmpning

ISOtunes® Sport DEFY er testet og godkendt i henhold til ANSI S3.19-1974 Specifikationer og den europæiske sikkerhedsstandard EN 352- 1: 2002.

## ANSI S3.19-1974

Støjniveauet, der kommer ind i en persons øre, når ISOtunes® Sport DEFY-hovedtelefoner bruges som anvist, er tæt tilnærmet af forskellen mellem det A-vægtede miljøstøjniveau og NRR (Noise Reduction Rating). Forkert tilpasning af denne enhed reducerer dens effektivitet til dæmpning af støj. Se de vedlagte instruktioner for korrekt montering.

A1: Frekvens (Hz)

A2: Gennemsnitlig dæmpning (dB)

A3: Standardafvigelse (dB)

Eksempel:

1. Det omgivende støjniveau målt ved øret er 100 dB.
2. NRR for ISOtunes® Sport DEFY er 25 dB.
3. Støjniveauet, der kommer ind i øret, er omkring 75 dB.

Bemærk, at NRR er baseret på dæmpning af kontinuerlig støj og muligvis ikke er en nøjagtig indikator for den beskyttelse, der kan opnås mod impulsiv støj, såsom skud.

## EN 352

B1: Frekvens (Hz)

B2: Gennemsnitlig dæmpning (dB)

B3: Standardafvigelse (dB)

B4: Antaget beskyttelsesværdi (APV) (dB)

B5:

H = Forventet hørebeskyttelse for højfrekvente lyde ( $f \geq 2000\text{Hz}$ )

M = Forventet hørebeskyttelse for mellemfrekvente lyde  
( $500\text{ Hz} < f < 2000\text{Hz}$ )

L = Forventet hørebeskyttelse for lavfrekvente lyde ( $f \leq 500\text{Hz}$ )

## SafeMax™ -teknologi

ISOtunes® Sport DEFY bruger SafeMax™ teknologi, og dens volume output er derfor begrænset til 85 decibel. ISOtunes® enheder med SafeMax™ teknologi er OSHA- NIOSH- og ANSI-kompatible og opfylder, når udpeget, den europæiske sikkerhedsstandard EN352.

## Tactical Sound Control™ teknologi

Dette produkt har TSC – Tactical Sound Control. Dette er en mikrofonteknologi, der giver brugeren mulighed for at høre verden omkring dem, men altid på et sikkert lydniveau. Når omgivende støj bryder et sikkert lydniveau, reagerer mikrofonteknologien omgående og dæmper det til et sikkert niveau.

Denne funktion starter automatisk, når produktet tændes. Det er let at justere TSC lydstyrken. Tryk blot på TSC Volume Up og Down knappen.

## Rengøring og vedligeholdelse

- Rengør dine ISOtunes® Sport DEFY ved at tørre dem forsigtigt af med en ren, fugtig klud med mild sæbe.
- Nedsenk ikke høreværnet i vand.
- Brug ikke slibende rengøringsmidler til at rengøre høreværnet.

Hvis høreværnet bliver vådt af sved eller regn, skal du afbryde brugen og dreje ørepuden udad og lade den tørre.

Ørepuderne og skumforingerne skal regelmæssigt inspiceres for

forrhængelse, revner eller andre skader.

## Materialer

- Ørepude: PU + Memory Foam •
- Hus: ABS
- Tastatur: Silikone
- Hovedbøjle: Rustfrit stål + TPE
- Hovedbøjlebeslag: ABS

Dette produkt leveres med en litiumbatteripakke. Batteripakken kan oplades ved at slutte den ene ende af det medfølgende kabel til en USB-stikkontakt og den anden ende i produktets opladningsport, der er placeret under gummidækslet i bunden af venstre ørepude.

Batterierne kan kontrolleres ved at fjerne batteridækslet. Skub låsen for at frigøre døren.

Litiumbatteripakken kan fjernes fra produktet og udskiftes. Løft batteriet ud. Træk kablet til batteripakken ud. For at geninstallere skal du sætte batteripakken i rummet og sætte batteripakkekablet i batteriporten. Sørg for, at batteripakkekablet er sat i batteripakkeporten for korrekt produktion.

Alternativt kan tre AAA-batterier bruges til enheden. Fjern litiumbatteriet helt fra produktet, og installer AAA-batterierne som angivet på produktet. Forsøg ikke at bruge Litiumbatteripakken og AAA-batterierne på samme tid.

## Automatisk slukning

ISOtunes® Sport DEFY slukkes automatisk efter 4 timers brug.

## ADVARSLER

ISOtunes® Sport DEFY gør et fremragende stykke arbejde med at blokere støj udefra. Som sådan bør ISOtunes® Sport DEFY IKKE bruges i miljøer, hvor brugerne er nødt til at være fuldt opmærksomme på deres omgivelser af personlige sikkerhedsmæssige årsager. Brug dem for eksempel IKKE, mens du kører bil eller kører på motorcykel. Brug dem heller ikke, når du cykler udenfor. Brugeren er

eneansvarlig for at sikre, at ISOtunes® Sport DEFY KUN bruges i sikre omgivelser.

Dette høreværn er beregnet til at beskytte dine ører mod farlig støj.

Hørbarheden af advarselssignaler på en given arbejdsplads kan blive nedsat, når du bruger underholdningskonfigurationen.

Dette produkt kan blive påvirket negativt af visse kemiske stoffer, såsom solcreme og insektspray. Yderligere oplysninger kan findes hos producenten.

Montering af hygiejniske betræk til puderne kan påvirke den akustiske ydeevne af høreværnet.

### **Anbefalinger**

Brugerne skal sikre, at produktet er ordentligt rengjort og tørt, før og efter brug. Opbevaring skal ske på et rent og tørt sted mellem -20 ° C og 50 ° C. Batteriet bør ikke aflades helt inden langvarig opbevaring.

Brugeren skal sikre sig:

- Høreværnet er monteret, justeret og ved ligeholdt i overensstemmelse med producentens anvisninger.
- Høreværnet bæres til enhver tid i støjende omgivelser.
- Høreværnet inspiceres regelmæssigt for brugervenlighed.

Hvis disse anbefalinger ikke overholdes, vil beskyttelsen fra høreværnet blive alvorligt nedsat.

Størrelserne for ørepuden er S M L.

Produktets gennemsnitlige vægt er 405 g.  
Forældelsesdato: 3 år fra købsdato.  
Må ikke bruges i eksplosive atmosfærer.

### **Ekstra Noter**

ISOtunes® Sport DEFY er kompatibel med Bluetooth® V4.2. Vi garanterer ikke kompatibilitet af alle funktioner på alle Bluetooth®-akti-

verede enheder. Se enhedens brugervejledning for kompatibilitet og funktionalitet.

Bemærk, at høreværnet tilbyder en underholdningskonfiguration. Høretelefonen har et begrænset audiosignal lydtryks niveau som begrænser underholdningsaudiosignalet til 85dB (A) effektiv mod øret. Denne grænse opretholdes for bluetooth- signalindgange, der er standard for Bluetooth A2DP-, HFP- og HSP-specifikationer. Der er ingen analog linjeindgang på dette produkt.

For yderligere information om ISOtunes® Sport DEFY, besøg [www.ISOtunes.com/DEFYManual](http://www.ISOtunes.com/DEFYManual). For yderligere information eller spørgsmål om ISOtunes® produkter eller reservedele og tilbehør, bedes du kontakte vores supportteam.

Reservedele: Hygiejnesæt (ørepudder og skumindsatser) Modelnummer: IT-83

### **Udskiftning af ørepuder.**

1. Sæt fingeren mellem ørepuderne og skummet.
2. Træk skumørepuden væk fra ørekoppen.
3. Fjern skumindsatserne i ørekoppen.
4. Installer de nye skumindsatser
5. Sæt den nye ørepude på plads på ørekoppen

### **FCC**

Forsigtig: Brugeren advares om, at ændringer eller modifikationer, der ikke udtrykkeligt er godkendt af den part, der er ansvarlig for compliance, kan annullere brugernes ret til at betjene udstyret.

Bemærk: Dette udstyr er testet og viser sig at overholde grænserne for en klasse B digital enhed i henhold til del 15 i FCC-reglerne. Disse grænser er beregnet til at give rimelig beskyttelse mod skadelig interferens i en boliginstallation. Dette udstyr genererer, bruger og kan udstråle radiofrekvensenergi, og hvis ikke installeret og bruges i overensstemmelse med instruktionerne, kan forårsage skadelig interferens i radiokommunikation. Der er dog ingen garanti for, at der ikke opstår interferens i en given installation. Hvis dette udstyr forårsager skadelig interferens i radio- eller tv-modtagelse, hvilket kan

fastlægges ved at tænde og slukke for udstyret, opfordres brugeren til at prøve at rette interferensen ved hjælp af en eller flere af følgende foranstaltninger:

- Ret eller flyt modtagerantennen.
- Øg afstanden mellem udstyr og modtager.
- Slut udstyret til en anden stikkontakt end det, som modtageren er tilsluttet.
- Kontakt forhandleren eller en erfaren radio- / tv- tekniker for at få hjælp.

Dette udstyr overholder FCCs grænser for RF-strålingseksposering, der er angivet for et ukontrolleret miljø. Slutbrugere skal følge den specifikke driftsvejledning for at opfylde RF-eksponeringsoverensstemmelse. Denne sender må ikke placeres sammen eller fungere sammen med nogen anden antenne eller sender.

#### **Storbritannien og Europa**

uk-eurosupport@isotunesaudio.com

#### **Nordamerika**

support@isotunesaudio.com

1-844-396-3737

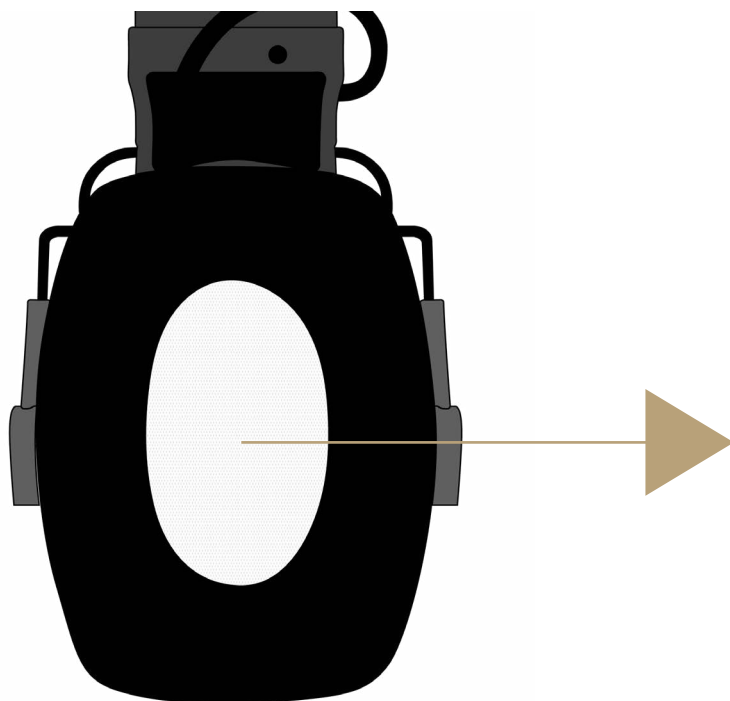
Mandag-fredag 9-5 ET

# Asennus

Kuulokkeet on merkitty, ja ne ovat säädettävissä käyttömukavuuden saavuttamiseksi.

1

Irrota vaahtomuovikappaleet molemmista korvakupeista.



2

Tarkista korvakuppien oikean- ja vasemmanpuoleiset tarrat.



# Asennus

Kuulokkeet on merkitty, ja ne ovat säädettävissä käyttömukavuuden saavuttamiseksi.

3

Säädä korvakupit, kuulokkeet ja johdot niin, että ne istuvat napakasti, mutta kuitenkin miellyttävästi.



4

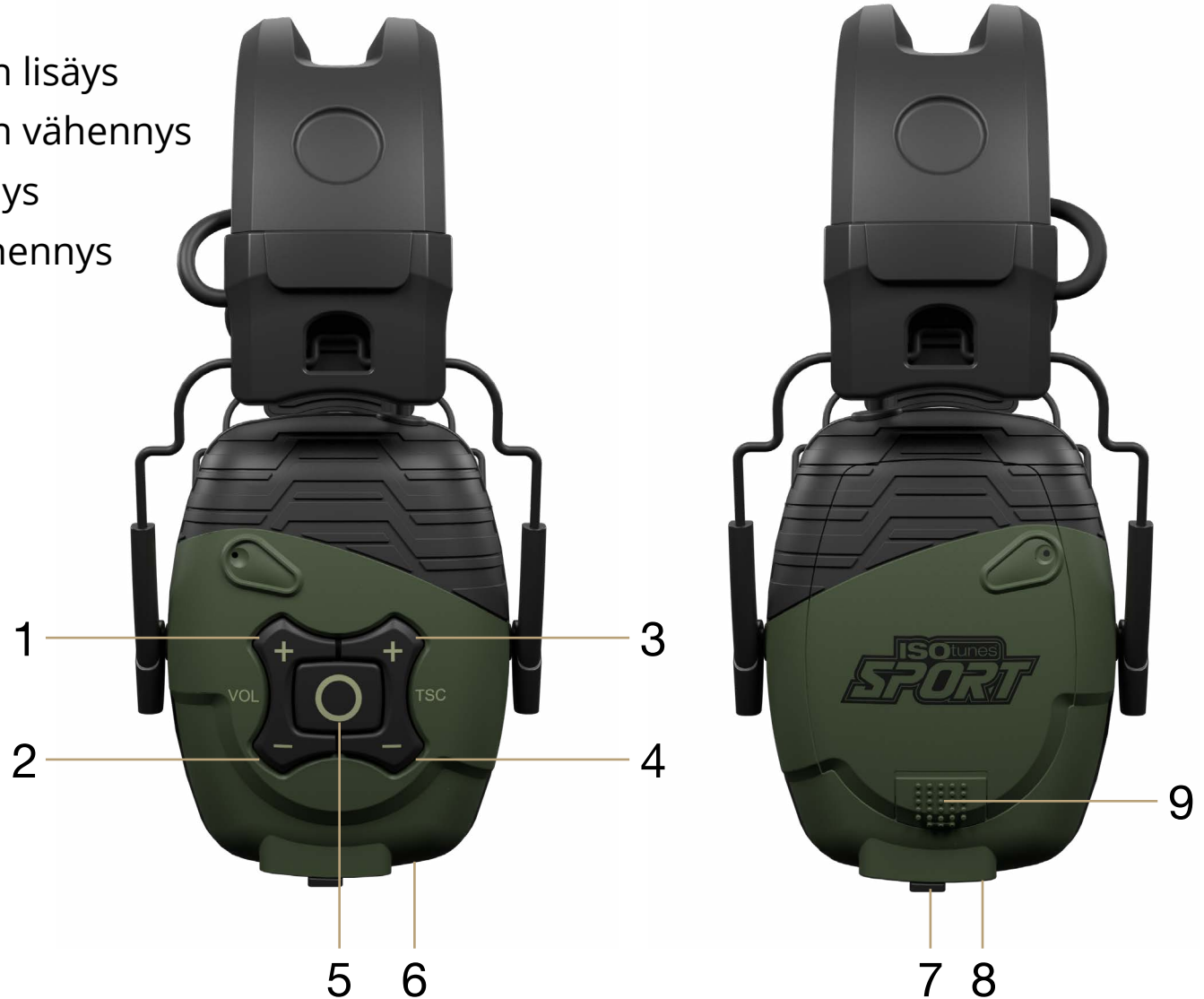
Varmista, että korvakuppien tarrat ovat pääsi sivujen kanssa linjassa. Aseta ne sitten paikoilleen päähäsi.





# Säätöjen sijainti

1. Musiikki Äänenvoimakkuuden lisäys
2. Musiikki Äänenvoimakkuuden vähennys
3. TSC Äänenvoimakkuuden lisäys
4. TSC Äänenvoimakkuuden vähennys
5. Monitoimipainike
6. Bluetooth-mikrofoni
7. Latausportti
8. Lataustilan merkkivalo
9. Akkukannen salpa



# Tactical Sound Control™ -Tekniikka

Tässä tuotteessa on käytetty taktista TSC-äänenhallintatekniikkaa (Tactical Sound Control). Tämä on mikrofonitekniikka, joka mahdollistaa käyttäjän kuulevan elämää ympärillään, mutta aina turvallisella kuuntelutasolla. Kun ympäröivä melu ylittää turvallisen kuuntelun tason, mikrofonitekniikka vastaa välittömästi ja vaimentaa turvalliselle tasolle.

Tämä ominaisuus kytkeytyy automaattisesti päälle, kun tämä tuote kytkeytyy päälle. TSC:n äänenvoimakkuuden säätäminen on helppoa. Paina vain TSC äänenvoimakkuus ylös (3) - tai alas (4) -painiketta.



# Lataus

Litiumakku toimitetaan täysin asennettuna. Varmista, että akkukaapeli on kytketty akun aktivointiporttiin. Litiumakun lataus kestää 14+ tuntia.

1

Liuta akun kannen salpaa (9) "ylös" kohti sankaa pariston aukon julkaisemiseksi.



2

Kun käytät litiumakkua, varmista, että akkukaapeli on kytketty akkuyksikön aukkoon akkukotelossa (huomaa, että akku toimitetaan täysin asennettuna).



# Lataus

Kuulokkeisiin voidaan toimittaa virtaa toimitukseen kuuluvalla uudelleenladattavalla akkuyksiköllä. Litiumakun lataus kestää 14+ tuntia.

3

Käytä latauksessa mukana toimitettua kaapelia kytkemällä se latausaukkoon (7).



*\*Latausjännite saa olla enintään 5 V.*



4

Kun kaapeli on kytketty latausaukkoon (7), latauksen merkkivalot (8) näyttävät litiumakun latauksen tason.

## Latauksen merkkivalot

-  Vakaa punainen = Ladataan (kaapeli kytkettynä)
-  Vakaa vihreä = Täysin ladattu (kaapeli kytkettynä)

# Akut

Kuulokkeeseen voidaan toimittaa virtaa myös 3 AAA-paristolla (ei sisälly toimitukseen). 3 AAA-paristoa säilyttää 24+ tunnin larauksen ja täytyy vaihtaa.

1

Liu'uta akun kannen salpaa (9) "ylös" kohti sanka pariston aukon julkaisemiseksi.



2

Irrota litiumakkuyksikkö ja pane 3 AAA-paristoa paikoilleen. Kun käytät AAA-paristoja, varmista, että asetat paristot oikein päin.



# Virta päällä/pois päältä

**Virta päällä:** Pidä MFB-painiketta painettuna (5)  
3 sekuntia (kuulet "Virta päällä")

**Virta pois:** Pidä MFB-painiketta painettuna (5)  
3 sekuntia (kuulet "Virta pois päältä")



5

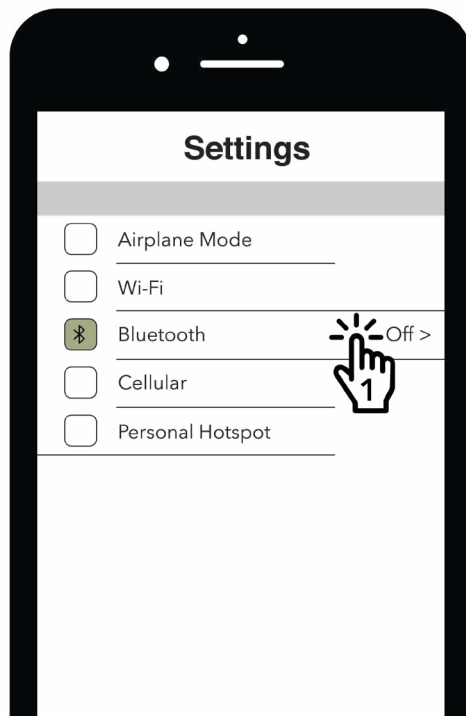
# Bluetooth-paritus

Kun kuulokkeet ovat kytkettynä päälle, ne siirtyvät automaattisesti parinmuodostustilaan.

(kuulet "Bluetooth-parinmuodostustila")

1

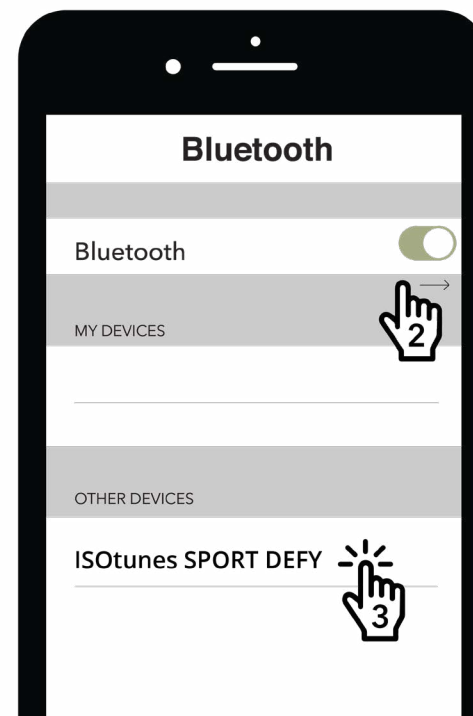
Avaa Bluetooth-asetukset  
laitteellasi.



2

Etsi "ISOtunes Sport DEFY". Yhdistä ja kytke.

Kun yhteys on muodostettu, kuulet "  
Bluetooth-yhteys muodostettu".



# Kaksoiskytkentätila

Tämä tuote voidaan kytkeä kahteen laitteeseen samanaikaisesti, esimerkiksi puhelin ja tietokone.

1. Muodosta laitepari ja yhdistä ensimmäinen laitteesi Bluetooth-parinmuodostuskohdassa kuvatulla. Tämä on laite A.

2. Pidä MBF-painiketta **(5)** painettuna 7 sekuntia, kunnes kuulet "Bluetooth-parinmuodostustila" (kuulet Virta pois päältä, pidä painiketta painettuna, kunnes kuulet "Bluetooth-parinmuodostustila")

3. Muodosta laitepari ja kytke 2. laite Bluetooth-parinmuodostuskohdassa kuvatulla. Tämä on laite B.

4. Siirry laitteessa A Bluetooth-valikkoon ja yhdistä manuaalisesti ISOtunes Sport DEFY -laitteeseen.

5. Molemmat laitteet ovat nyt kytkettynä.

## Parinmuodostuksen Nollaus

Pidä äänenvoimakkuus ylös **(1)** - ja äänenvoimakkuus alas **(2)** -painikkeita painettuna 4 sekunnin ajan.

Laite siirtyy valmiustilaan.



# Musiikki

**Toista tai keskeytä:** Lyhyt yksittäinen painallus MFB (5)

**Seuraava kappale:** Kaksi kertaa painallus MFB (5)

**Edellinen kappale:** Kolminkertaistaa painallus MFB (5)

**Musiikki Äänenvoimakkuus ylös:**

Lyhyt yksittäinen painallus Äänenvoimakkuus ylös (1)

**Musiikki Äänenvoimakkuus alas:**

Lyhyt yksittäinen painallus Äänenvoimakkuus alas (2)

**TSC Äänenvoimakkuus ylös:**

Lyhyt yksittäinen painallus Äänenvoimakkuus ylös (3)

**TSC Äänenvoimakkuus alas:**

Lyhyt yksittäinen painallus Äänenvoimakkuus alas (4)



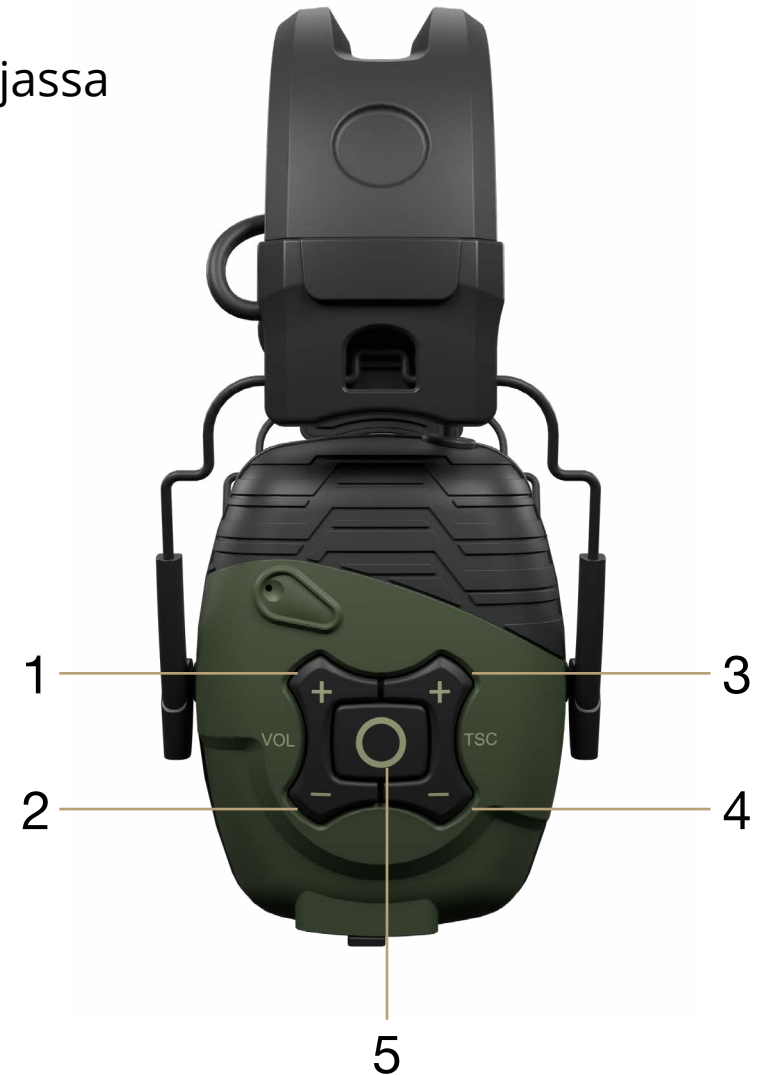
# Puhelut

**Vastaa/Lopeta puhelu:** Lyhyt yksittäinen painallus MFB (5)

**Hylkää puhelu:** Paina ja pidä MFB-painiketta (5) pohjassa 1 sekunnin ajan.

## Siri / Google Assistant

Paina ja pidä MFB-painiketta (5) pohjassa 1 sekunnin ajan.



## Asennus



### ANSI S3.19-1974 Table (NRR Table)

A1: Frequency, Hz	125	250	500	1000	2000	3150	4000	6300	8000	NRR
A2: Grand Mean Attenuation, dB	19.9	22.3	27.8	30.8	38.8	44.3	50.0	46.3	42.4	<b>25</b>
A3: Standard Deviation, dB	3.7	2.9	2.4	2.3	3.8	3.9	3.8	3.1	4.3	

### EN 352-1:2002 Table (SNR Table)

B1: Frequency (Hz)	125	250	500	1000	2000	4000	8000
B2: Mf (dB)	17.5	21.4	26.6	29.3	37.6	46.4	39.6
B3: sf (dB)	4.5	2.5	2.6	2.3	3.7	4.6	6.8
B4: APVf	13.0	18.9	24.0	27.0	33.9	41.8	32.8

B5: SNR=30dB H=34dB M=27dB L=21dB APVf=MF-SF (dB)

## Tärkeää

Lue, ymmärrä ja noudata kaikkia turvallisuutta koskevia ohjeita.

Täydellinen käyttöopas löytyy osoitteesta  
[ISOtunes.com/DEFYManual](https://www.iso.com/DEFYManual).

## Asennus

1. Irrota vaahtomuovikappaleet molemmista korvakupeista.
2. Vedä korvakupit erilleen
3. Pane kuulokkeet päähäsi
4. Säädä korvakupin paikkaa pidentämällä sankaa, niin että varmistat hyvän istuvuuden korvien ympärillä

## Johdanto

Kiitos ammatillisten melua eristävien ISOtunes® Sport DEFY -korvatulppien tilauksesta. Nämä korvakuulokkeet on erityisesti suunniteltu suojaamaan haitalliselta melulta – niiden avulla on mahdollista estää niin paljon ympäröivää melua, että voit kuunnella musiikkiasi tai puhua puhelimesta vähemmän häiriöin. Tämä tuote on testattu ja se täyttää eurooppalaiset turvallisuutta koskevat standardit EN 352-1:2002 ja kuulonsuojauksen ANSI- ja NIOSH-standardit SNR-luokituksella 30 dB ja NRR-luokituksella 25 dB. Täydet testaustiedot ovat saatavissa tämän lehtisen melunvaimennusta koskevassa osiossa.

## Melunvaimennus HYVÄKSYNTÄ

ISOtunes® Sport DEFY on testattu ja hyväksytty ANSI S3.19-1974 -standardin teknisten määritysten ja eurooppalaisten EN 3521:2002-standardien mukaan.

## ANSI

### S3.19-1974

Kun ISOtunes® Sport DEFY-korvakuulokkeita käytetään ohjeiden mukaisesti, korvaan pääsevän melun taso on arvioitu A-painoisen ympäröivän melun ja melunvaimennusluokituksen (NRR) välisen eron perusteella. Jos tämä laite ei istu kunnolla, sen melunvaimennuste-hokkuus laskee. Asianmukaista istuvuutta koskevat ohjeet toimitetaan laitteen mukana.

A1: Taajuus (Hz)

A2: Melunvaimennus (dB)

A3: Vakiopoikkeama (dB)

Esimerkki:

1. Korvassa mitattu ympäröivä melun taso on 100 dB.
2. ISOtunes® Sport DEFY -korvakuulokkeiden NRR on 25 dB.
3. Korvaan menevän melun taso on arviolta 75dB.

Huomaa, että NRR perustuu jatkuvaan melunvaimennukseen eikä ehkä ole täsmällinen suojauksen ilmaisun impulssimelua vastaan, kuten ampuma.

## EN 352

B1: Taajuus (Hz)

B2: Melunvaimennus (dB) B3: Vakiopoikkeama (dB)

B4: Arvioitu suojausarvo (APV) (dB) B5:

H = Kuulonsuojauksen arvio suuritaajuuksisille äänille  
( $f \geq 2000\text{Hz}$ )

M = Kuulonsuojauksen arvio keskitaajuuksisille äänille  
( $500\text{ Hz} < f < 2000\text{Hz}$ )

L = Kuulonsuojauksen arvio pienitaajuuksisille äänille  
( $f \leq 500\text{Hz}$ )

## SafeMax™-tekniikka

ISOtunes® Sport DEFY -laitteessa hyödynnetään SafeMax™-tekniikkaa, minkä vuoksi äänenvoimakkuus on rajoitettu 85 desibeliin. ISOtunes®-laitteet, joissa käytetään SafeMax™-tekniikkaa, ovat OSHA-, NIOSH- ja ANSI-standardien mukaisia ja kun tämä on mainittu, täyttävät eurooppalaisen turvallisuusstandardin EN352.

## Tactical Sound Control™ -tekniikka

Tässä tuotteessa on käytetty taktista TSC-äänenhallintatekniikkaa (Tactical Sound Control). Tämä on mikrofonitekniikka, joka mahdollistaa käyttäjän kuulevan elämää ympärillään, mutta aina turvallisella kuuntelutasolla. Kun ympäröivä melu ylittää turvallisen kuuntelun tason, mikrofonitekniikka vastaa välittömästi ja vaimentaa turvalliselle tasolle.

Tämä ominaisuus kytkeytyy automaattisesti päälle, kun tämä tuote kytkeytyy päälle. TSC:n äänenvoimakkuuden säätäminen on helppoa. Paina vain TSC äänenvoimakkuus ylös - tai alas -painiketta.

## Puhdistaminen ja huolto

- Puhdista ISOtunes Sport DEFY pyyhkimällä sitä varovasti puhtaalla kostealla liinalla.
- Älä upota kuulonsuojainta veteen.
- Älä käytä hankaavia liuottimia korvakuulokkeiden puhdistamiseen.

Jos kuulonsuojaimet kastuvat hiestä tai sateesta, keskeytä niiden käyttö ja käännä korvakuulokkeet ulospäin, niin että ne voivat kuivua. Pehmikkeet ja vaahtomuovivuoraukset pitäisi tarkastaa säännöllisesti kulumisen, halkeamien tai muiden vaurioiden osalta.

## Materiaalit

- Korvapehmuste: PU + Vaahtomuovi
- Kotelo: ABS
- Näppäimistö: Pii
- Sanka: Ruostumaton teräs + TPE
- Teline sangalle: ABS

Tämä tuote toimitetaan litiumakun kanssa. Akku voidaan ladata kytkemällä mukana toimitettavan kaapelin toinen pää USB-porttiin ja toinen pää tuotteen latausporttiin, joka sijaitsee vasemman korvakupin kumisuojan alaosassa.

Akku voidaan tarkistaa irrottamalla akun kansi. Vapauta luukku liu'uttamalla luukkua.

Litiumakku voidaan irrottaa tuotteesta ja vaihtaa. Nosta akku pois. Irrota akun kaapeli. Voit asettaa akun takaisin koteloon ja kytkeä akkukaapelin sen aukkoon. Varmista, että akkukaapeli on kytketty akun kaapelin aukkoon tuotteen tehon varmistamiseksi.

Vaihtoehtoisesti laitetta voidaan käyttää kolmella AAA-paristolla. Irrota litiumakku kokonaan laitteesta ja aseta kolme AAA-paristoa tuotteessa esitetyllä tavalla. Älä yritä käyttää litiumakkua ja AAA-paristoja samanaikaisesti.

## Automaattinen virrankatkaisu (Power-Off)

ISOtunes® Sport DEFY sammuu automaattisesti 4 käyttötunnin jälkeen.

## VAROITUKSET

ISOtunes Sport DEFY estää ulkopuolisen melun erinomaisesti. Täten ISOtunes® Sport DEFY -kuulokkeita ei turvallisuussyistä pitäisi käyttää ympäristöissä, joissa käyttäjien täytyy olla täysin tietoi-

sia ympäristöstään. ÄLÄ esimerkiksi käytä niitä, kun ajat autoa tai moottoripyörää. ÄLÄ myöskään käytä niitä, kun ajat polkupyörää ulkona. Käyttäjä on yksinomaan vastuussa sen varmistamisesta, että ISOtunes® Sport DEFY -tuotetta käytetään VAIN turvallisessa ympäristössä.

Korvakuulokkeiden tarkoitus on suojata korvia vaaramelulta.

Varoitussignaalien kuultavuus määrättyllä työpaikalla voi heikentyä viihdetilojen

Tietyt kemialliset aineet voivat vaikuttaa haitallisesti tähän tuotteeseen, kuten aurinkovoide ja hyönteissuihke. Lisätietoja on saatavilla valmistajalta.

Hygieniasuojien kiinnittäminen pehmusteisiin voi vaikuttaa kuulonsuojaimien akustiseen suorituskykyyn

### **Suosituks**

Käyttäjän pitäisi varmistaa, että tuote puhdistetaan kunnolla ja kuivataan ennen käyttöä ja käytön jälkeen. Varaston pitäisi olla puhdas ja kuiva ja lämpötilan -20-50 °C. Akku ei saisi olla täysin tyhjä ennen pitkää varastointiaikaa.

Kuluttajan pitäisi varmistua seuraavista:

- Kuulonsuojain asennetaan, säädetään ja sitä ylläpidetään valmistajan ohjeiden mukaisesti.
- Kuulonsuojainta käytetään koko ajan meluisissa ympäristöissä.
- Kuulonsuojaimien toiminta tarkistetaan säännöllisesti.

Jos näitä suosituksia ei noudateta, kuulonsuojaimen aikaan saama suojaus heikkenee voimakkaasti.

Pehmusteen koko on S M L.

Tuotteen keskipaino on 405 g,  
Vanhenemispäivä: 3 vuotta ostopäivästä. Ei saa käyttää räjähtävissä ympäristöissä.

### **Lisähuomautukset**

ISOtunes Sport DEFY on yhteensopiva Bluetooth® V4.2 -laitteen kanssa. Emme takaa kaikkien toimintojen yhteensopivuutta kaikilla laitteilla, joissa on Bluetooth® käytössä. Tarkista laitteesi käyttöoppaasta yhteensopivuus ja toiminnollisuus.

Huomaa, että kuulonsuojain tarjoaa viihdeäänentoiston. Korvasuojus tarjoaa äänisignaalin painetason rajoituksen, joka rajoittaa ympäristön äänisignaalin arvoon 85 dB(A) korvaan. Tätä rajaa ylläpidetään Bluetooth-signaalin tuloille, jotka ovat vakioita Bluetooth A2DP -, HFP - ja HSP -laitteiden teknisille määrittäyksille. Tälle tuotteelle ei ole vielä analogista linjatuloa.

Lisätietoja ISOtunes® Sport DEFY -tuotteesta osoitteessa [www.ISOtunes.com/DEFYManual](http://www.ISOtunes.com/DEFYManual). Saat lisätietoja ja voit esittää kysymyksiä ISOtunes®-tuotteisiin, varaosiin ja lisävarusteisiin liittyen tukitiimiltä. Varaosat: Hygieniasarja (korvasuojus ja vaahtomuovikappaleet) Mallinumero: IT-83

Vaihda korvasuojukset.

1. Pane sormi korvasuojuksen ja vaahtomuovin välille.
2. Vedä vaahtomuovi pois korvakupista.
3. Irrota vaahtomuovikappaleet korvakupeista.
4. Asenna uudet vaahtomuovikappaleet.
5. Napsauta uusi korvasuojus paikoilleen korvakuppiin.

### **FCC**

Huomio: Mikä tahansa muutos tai muokkaus, jota sääntöjenmukaisuudesta vastuussa oleva osapuoli ei ole erityisesti hyväksynyt, saattaa mitätöidä käyttäjän valtuuden käyttää laitetta.

Huomautus: Tämä tuote on testattu ja sen on todettu noudattavan B-luokan digitaalisia laitteita koskevia rajoituksia, jotka ovat FCC-sääntöjen osan 15 mukaisia. Näiden rajoitusten tarkoituksena on tarjota kohtuullinen suojaus haitallisista häiriöistä vastaan asuinpaikkojen asennuksessa. Tämä laite luo, käyttää, ja säteilee radiotaajuusenergiaa, ja jos sitä ei asenneta ja käytetä ohjeiden mukaan, se voi aiheuttaa haitallisia häiriöitä radioviestinnälle. Ei ole kuitenkaan

takeita siitä, että häiriöitä ei esiinnyt määrättyssä asennuksessa. Jos tämä laite ei aiheuta häiriötä radion tai television vastaanotolle, mikä voidaan määrittää kytkemällä laite päälle ja päältä pois, käyttäjää rohkaistaan yrittämään korjata häiriö joillakin seuraavista toimenpiteistä:

- Kohdistista tai sijoista vastaanottoantenni uudelleen.
- Siirrä laite ja vastaanotin kauemmaksi toisistaan.
- Kytke laite virtapiirissä eri lähtöön kuin mihin vastaanotin on kytketty.
- Hanki apua ottamalla yhteyttä jälleenmyyjään tai kokeneeseen radio-/televisioasentajaan.

Tämä laite noudattaa FCC:n radiotaajuussäteilyn altistumisrajoja, jotka on määritetty kontrolloimattomalle ympäristölle. Loppukäyttäjien täytyy noudattaa määrättyjä käyttöohjeita radiotaajuudelle altistumista koskevien sääntöjen noudattamiseksi. Tätä lähetintä ei saa asettaa toisen antennin tai lähettimen viereen eikä sitä saa käyttää sellaisessa paikassa.

#### **UK ja Eurooppa**

uk-eurosupport@isotunesaudio.com

#### **Pohjois-Amerikka**

support@isotunesaudio.com

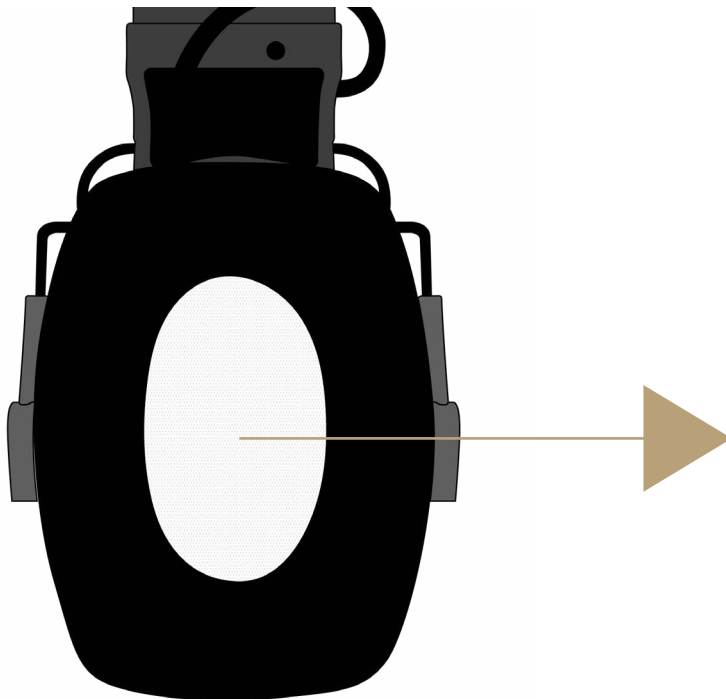
1-844-396-3737 Ma-pe 9-17 ET

# Gebruik

De headset is voor uw optimaal gebruiksgemak gelabeld en verstelbaar.

1

Verwijder de witte schuimvulling van beide oorschelpen.



2

Controleer de oorschelpen op labels voor rechts en links.



# Gebruik

De headset is voor uw optimaal gebruiksgemak gelabeld en verstelbaar.

3

Pas de oorschelpen, hoofdband en draden aan voor een nauwsluitende maar comfortabele pasvorm.



4

Let bij het plaatsen op de labels op de oorschelpen zodat het apparaat correct wordt geplaatst.





# Locatie van bedieningselementen

1. Muziek volume omhoog
2. Muziek volume omlaag
3. TSC volume omhoog
4. TSC volume omlaag
5. Multifunctionele knop (MFB)
6. Bluetooth-microfoon
7. Oplaadaansluiting
8. LED-oplaadindicator
9. Vergrendeling batterijdeksel



# Tactical Sound Control™ Technology<sup>T</sup>

Dit product bevat TSC - Tactical Sound Control. Dit is een microfoontechnologie waarmee de gebruiker omgevingsgeluid kan horen, maar altijd op een veilig luisterniveau. Wanneer het omgevingsgeluid een veilig luisterniveau overschrijdt, reageert de microfoontechnologie onmiddellijk en verzwakt het geluid tot een veilig niveau.

Deze functie wordt automatisch ingeschakeld wanneer het apparaat wordt ingeschakeld. Het aanpassen van het TSC volume is makkelijk. Druk op TSC Volume omhoog (3) en omlaag-knop (4).



# Opladen

Het lithiumbatterijpak is bij levering volledig geïnstalleerd. Zorg ervoor dat de kabel van het batterijpak is aangesloten op de batterijpakaansluiting **(2)**.

De lithiumbatterij heeft een gebruiksduur van 14+ uur.

1

Schuif de vergrendeling van het batterijklepje **(9)** “omhoog” in de richting de hoofdband om het batterijklepje los te maken.



2

Zorg er bij gebruik van het lithiumbatterijpak altijd voor dat de kabel van het batterijpak is aangesloten op de batterijpoort in het batterijcompartiment (de batterij is bij levering geïnstalleerd).



# Opladen

De headset kan worden gevoed door het meegeleverde oplaadbare lithiumbatterijpak. De lithiumbatterij heeft een gebruiksduur van 14+ uur.

3

Laad op met de meegeleverde kabel door deze op de oplaadpoort (7) aan te sluiten.



*\*Laadspanning mag niet hoger zijn dan 5v.*



4

Wanneer de kabel is aangesloten op de oplaadpoort (7), geven de LED-oplaadindicatoren (8) de oplaadstatus van de lithiumbatterij aan.

## LED-oplaadindicatoren

-  Continu rood = opladen (kabel aangesloten)
-  Continu groen = volledig opgeladen (kabel aangesloten)

# Batterijen

De headset kan ook worden gevoed door 3 AAA-batterijen (niet inbegrepen).  
3 AAA-batterijen leveren 24+ uur voeding en moeten daarna worden vervangen.

1

Schuif de batterijklepvergrendeling (9) "omhoog" richting de hoofdband om het batterijklepje los te maken.



2

Verwijder het lithiumbatterijpak en plaats uw 3 AAA-batterijen. Zorg ervoor dat u de batterijen op de juiste manier plaatst als u AAA-batterijen gebruikt.



# Voeding On/Off

**Inschakelen:** Houd MFB (5) 3 seconden ingedrukt  
(u hoort "Power On")

**Uitschakelen:** Houd MFB (5) 3 seconden ingedrukt  
(u hoort "Power Off")

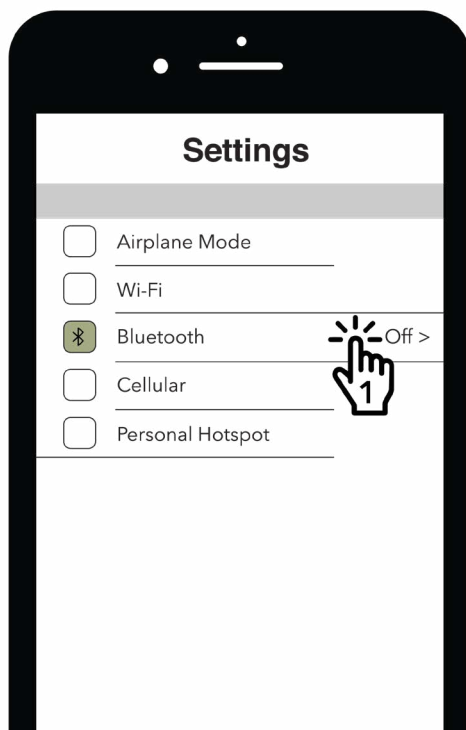


# Bluetooth-koppeling

Na het inschakelen schakelt de hoofdtelefoon automatisch naar de koppeling-smodus (u hoort "Bluetooth Pairing Modus")

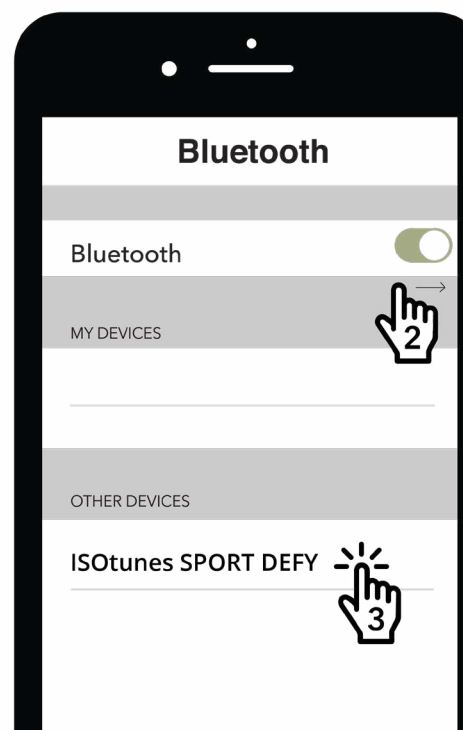
1

Open uw Bluetooth-instellingen op uw apparaat.



2

Zoek "ISOtunes Sport DEFY." Koppelen en verbinden.  
Als de verbinding is gemaakt hoort u "Bluetooth Connected."



# Dubbele verbindingsmodus

Dit product kan op twee apparaten tegelijk worden aangesloten, zoals uw telefoon en uw computer.

1. Koppel en maak verbinding met uw eerste apparaat zoals beschreven in Bluetooth-koppeling. Dit wordt apparaat A.
2. Houd de MFB **(5)** 7 seconden ingedrukt totdat u "Bluetooth Pairing Mode" hoort (wanneer u "Power Off" hoort, de toets ingedrukt houden totdat u "Bluetooth Pairing Mode" hoort).
3. Koppel en maak verbinding met het 2e apparaat zoals beschreven in Bluetooth-koppeling. Dit wordt apparaat B.
4. Ga op apparaat A naar het Bluetooth-menu en maak handmatig verbinding met ISOtunes Sport DEFY.
5. Beide apparaten zijn nu verbonden.

## Koppelen Reset

Houd de knoppen Volume omhoog **(1)** en Volume omlaag **(2)** 4 seconden.

Het apparaat schakelt in de koppelingsmodus.



# Muziek

**Afspelen/Pauze:** Druk één keer op MFB **(5)**

**Volgende nummer:** Druk tweemaal op MFB **(5)**

**Vorige track:** Druk driemaal op MFB **(5)**

**Muziek volume omhoog:**

Druk één keer op Volume omhoog **(1)**

**Muziek volume omlaag:**

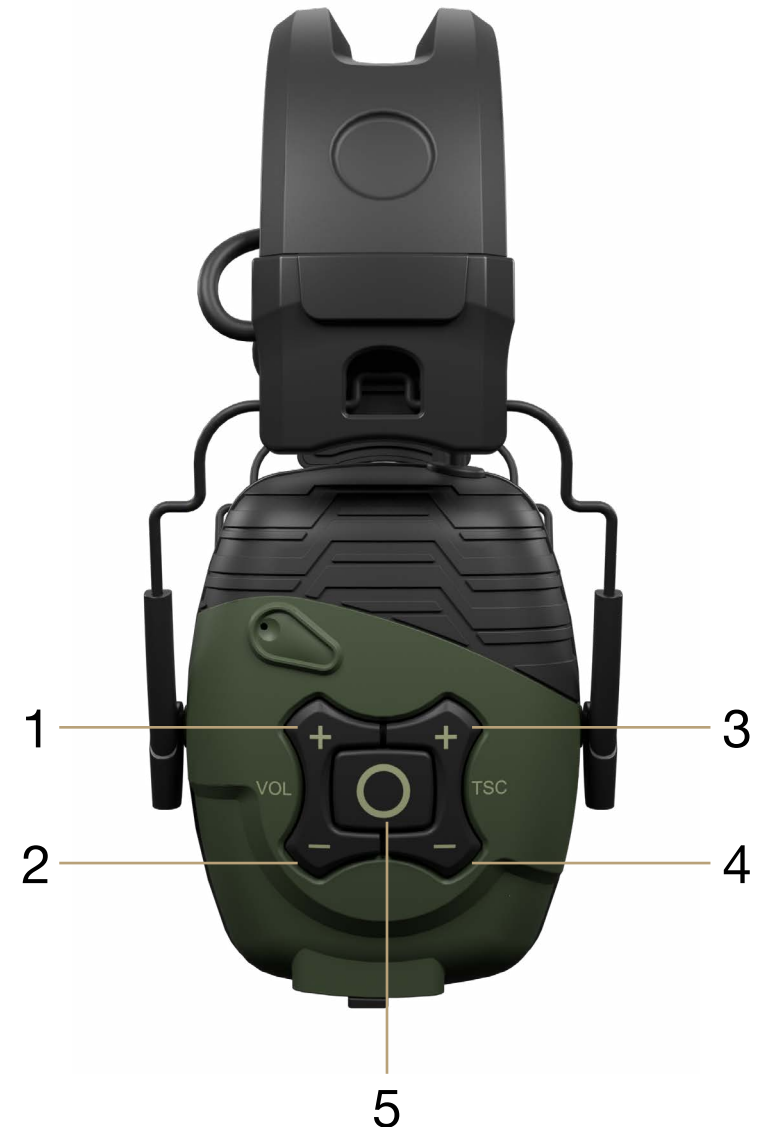
Druk één keer op Volume omlaag **(2)**

**TSC volume omhoog:**

Druk één keer op Volume omhoog **(3)**

**TSC Volume omlaag:**

Druk één keer op Volume omlaag **(4)**



# Telefoongesprekken

Oproep beantwoorden / beëindigen: Druk één keer op MFB (5)

Oproep weigeren: Houd MFB (5) 1 seconde ingedrukt

## Siri / Google Assistant

Houd MFB (5) 1 seconde.



## Gebruik



### ANSI S3.19-1974 Table (NRR Table)

A1: Frequency, Hz	125	250	500	1000	2000	3150	4000	6300	8000	NRR
A2: Grand Mean Attenuation, dB	19.9	22.3	27.8	30.8	38.8	44.3	50.0	46.3	42.4	<b>25</b>
A3: Standard Deviation, dB	3.7	2.9	2.4	2.3	3.8	3.9	3.8	3.1	4.3	

### EN 352-1:2002 Table (SNR Table)

B1: Frequency (Hz)	125	250	500	1000	2000	4000	8000
B2: Mf (dB)	17.5	21.4	26.6	29.3	37.6	46.4	39.6
B3: sf (dB)	4.5	2.5	2.6	2.3	3.7	4.6	6.8
B4: APVf	13.0	18.9	24.0	27.0	33.9	41.8	32.8

B5: SNR=30dB H=34dB M=27dB L=21dB APVf=MF-SF (dB)

## Belangrijk

De veiligheidsinformatie aandachtig lezen en in acht nemen.

De volledige handleiding is te vinden op [ISOtunes.com/DEFYManual](http://ISOtunes.com/DEFYManual).

## Gebruik

1. Verwijder de witte schuimrubberen inzetstukken uit de oorschelpen
2. Trek de oorschelpen uit elkaar
3. Plaats het apparaat op uw hoofd
4. Pas de positie van de oorschelp aan door de hoofdband te verstellen zodat deze goed om de oren past

## Inleiding

Dank voor uw aankoop ISOtunes® Sport DEFY Professionele geluidsisolerende oordopjes. Deze oordopjes zijn speciaal ontworpen voor gebruik in lawaaierige omgevingen. U kunt veel omgevingsgeluid blokkeren, zodat u met minder onderbreking naar uw muziek kunt luisteren of telefoneren. Dit product is getest en voldoet aan de Europese veiligheidsnorm EN 352-1: 2002 en de ANSI- en NIOSH-normen voor gehoorbeschermers, met een Single Number Rating (SNR) van 30 dB met een Noise Reduction Rating (NRR) van 25 dB. De volledige testgegevens staan in het gedeelte Ruisonderdrukking van deze handleiding.

## Ruisonderdrukking GOEDKEURING

ISOtunes® Sport DEFY is getest en goedgekeurd in overeenstemming met ANSI S3.19-1974 specificaties en de Europese veiligheidsnorm EN 352-1: 2002.

## ANSI

### S3.19-1974

Het geluidsniveau dat het oor binnenkomt wanneer de ISOtunes® Sport DEFY wordt gedragen zoals aangegeven, benadert het verschil tussen het A-gewogen niveau van omgevingsruis en de Noise Reduction Rating (NRR). Als dit apparaat niet correct wordt geplaatst, is het minder effectief bij het onderdrukken van ruis. Raadpleeg de bijgevoegde instructies om het apparaat correct te plaatsen.

A1: Frequentie (Hz)

A2: Gemiddelde verzwakking (dB)

A3: Standaarddeviatie (dB)

Voorbeeld:

1. Het omgevingsgeluidsniveau gemeten bij het oor is 100 dB.
2. Het NRR van ISOtunes® Sport DEFY is 25 dB.
3. Het geluidsniveau dat het oor binnendringt is ongeveer gelijk aan 75dB.

De NRR is gebaseerd op de verzwakking van continue ruis en mogelijk geen nauwkeurige indicator voor de bescherming die kan

worden bereikt tegen impulsgeluiden, zoals vuurwerk.

### EN 352

B1: Frequentie (Hz)

B2: Gemiddelde verzwakking (dB)

B3: Standaarddeviatie (dB)

B4: Aangenomen beschermingswaarde (APV) (dB)

B5:

H = Schatting gehoorbescherming voor hoogfre quente geluiden ( $f \geq 2000\text{Hz}$ )

M = Schatting gehoorbescherming voor midden frequente geluiden ( $500\text{ Hz} < f < 2000\text{Hz}$ )

L = Schatting gehoorbescherming voor laagfre quente geluiden ( $f \leq 500\text{Hz}$ )

### SafeMax™ Technologie

ISOtunes® Sport DEFY maakt gebruik van SafeMax™ Technology. Daarom is de volume-output beperkt tot 85 decibel. ISOtunes® apparaten met SafeMax™ Technology voldoen aan OSHA, NIOSH, en ANSI en, indien relevant, aan de Europese veiligheidsnorm EN352.

### Tactical Sound Control™ Technology

Dit product bevat TSC - Tactical Sound Control. Dit is een microfoontechnologie waarmee de gebruiker omgevingsgeluid kan horen, maar altijd op een veilig luisterniveau. Wanneer het omgevingsgeluid een veilig luisterniveau overschrijdt, reageert de microfoontechnologie onmiddellijk en verzwakt het geluid tot een veilig niveau.

Deze functie wordt automatisch ingeschakeld wanneer het apparaat wordt ingeschakeld. Het aanpassen van het TSC volume is makkelijk. Druk op TSC Volume omhoog en omlaag-knop.

### Reiniging en onderhoud

- Reinig de ISOtunes Sport DEFY door deze voorzichtig af te vegen met een schone, vochtige doek met milde zeep.
- Dompel de gehoorbeschermer niet onder in water.
- Gebruik geen schuurmiddelen om de gehoorbeschermer schoon te maken.

Als de gehoorbeschermer nat wordt van zweet of regen, stop dan met het gebruik en draai de oordop naar buiten en laat hem drogen.

De oorkussens en schuimrubberen voeringen moeten regelmatig worden geïnspecteerd op slijtage, scheuren of andere schade.

### Materialen

- Oorkussens: • PU + traagschuim
- Behuizing: ABS
- Toetsenbord: Silicone
- Hoofdband: Roestvrij staal + TPE
- Beugel voor hoofdband: ABS

Dit product wordt geleverd met een lithiumbatterijpak. Laad het batterijpak op door het ene uiteinde van de meegeleverde kabel in een USB-uitgang te steken en het andere uiteinde in de oplaadpoort onder de rubberen dop aan de onderkant van de linkeroorschelp.

De batterijen kunnen worden gecontroleerd door het batterijklepje te verwijderen. Verschuif de grendel om het klepje te ontgrendelen.

Het lithiumbatterijpak kan uit het product worden verwijderd en vervangen. Til de batterij uit de houder. Koppel de kabel van het batterijpak los. Om opnieuw te installeren, plaatst u de batterij in de houder en sluit u de batterijkabel aan op de aansluiting van het batterijpak. Zorg ervoor dat de kabel is aangesloten op de kabelpoort van het batterijpak om te verzekeren dat het apparaat goed werkt.

Als alternatief kunnen drie AAA-batterijen het apparaat van stroom voorzien. Verwijder het lithiumbatterijpak uit het apparaat en plaats de AAA-batterijen zoals aangegeven op het product. Het lithiumbatterijpak en de AAA-batterijen niet tegelijkertijd gebruiken.

### Automatische uitschakeling

ISOtunes® Sport DEFY wordt na 4 uur gebruik automatisch uitgeschakeld.

## WAARSCHUWINGEN

ISOtunes® Sport DEFY is effectief in het blokkeren van omgevingsgeluid. Daarom mag de ISOtunes® Sport DEFY NIET worden gebruikt in omgevingen waar gebruikers zich volledig bewust moeten zijn van hun omgeving om redenen van persoonlijke veiligheid. Gebruik de oordopjes NIET tijdens het autorijden of motorrijden. Gebruik ze NIET als u op een fiets aan het verkeer deelneemt. De gebruiker is zelf verantwoordelijk om ervoor te zorgen dat ISOtunes® Sport DEFY ALLEEN in veilige omgevingen wordt gebruikt.

Deze oordoppen zijn bedoeld om uw oren te beschermen tegen gevaarlijke geluiden.

De hoorbaarheid van waarschuwingssignalen op een specifieke werkplek kan verminderd zijn tijdens het gebruik van de entertainmentfunctie.

Dit product kan aangetast worden door bepaalde chemische stoffen, zoals zonnebrandcrème en insecticide. Verdere informatie kan worden opgevraagd bij de fabrikant.

Het aanbrengen van hygiënische hoezen op de kussens kan de akoestische prestatie van de oordoppen beïnvloeden.

## Aanbevelingen

De gebruiker moet het apparaat voor en na gebruik schoonmaken en drogen. Bewaar het apparaat op een schone en droge plaats tussen -20° C en 50° C. De batterij mag niet leeg zijn als u het apparaat langdurig opbergt.

De gebruiker moet onderstaande aanwijzingen volgen.

- De gehoorbeschermer moet worden ingebracht, afgesteld en onderhouden volgens de instructies van de fabrikant.
- De gehoorbeschermer moet worden gedragen in lawaaierige omgevingen.
- De gehoorbeschermer moet regelmatig gecontroleerd worden op correcte werking.

Als deze aanwijzingen niet worden opgevolgd, wordt de effectiviteit van de gehoorbeschermer aangetast.

De maten voor de oordopjes zijn S M L.

Het gemiddelde gewicht van het apparaat is 405 g.

Levensduur: 3 jaar vanaf aankoopdatum.

Niet gebruiken in omgeving waar explosiegevaar bestaat.

## Aanvullende opmerkingen

ISOtunes® Sport DEFY is compatibel met Bluetooth® V4.2. De compatibiliteit van alle functies op Bluetooth®-apparaten wordt door ons niet gegarandeerd. Raadpleeg de gebruikershandleiding van uw apparaat voor compatibiliteit en functionaliteit.

Opmerking: de gehoorbeschermer biedt een entertainment-audiofunctie. De oordopjes zorgen voor een beperking van het geluidsdrukkniveau van het audiosignaal, waardoor het audiosignaal voor entertainment wordt beperkt tot 85 dB(A) effectief naar het oor. Deze limiet wordt gehandhaafd voor bluetooth-signaalgangen die standaard zijn volgens de Bluetooth A2DP-, HFP- en HSP-specificaties. Dit product heeft geen analoge lijningang.

Meer informatie over ISOtunes® Sport DEFY, vindt u op [www.ISOtunes.com/DEFYManual](http://www.ISOtunes.com/DEFYManual). Voor aanvullende informatie of vragen over ISOtunes® producten of reserveonderdelen en accessoires kunt u contact opnemen met onze klantenservice.

Vervangingsonderdelen: Hygiëneset (oorkussens en schuimrubberen inzetstukken) Modelnummer: IT-83

Vervangen van oorkussens.

1. Plaats uw vinger tussen de oorkussens en het schuimrubber.
2. Trek het schuimrubberen oorkussen weg van de oorschelp.
3. Verwijder de schuimrubberen inzetstukken in de oorschelp.
4. Plaats de nieuwe schuimrubberen inzetstukken
5. Klik het nieuwe oorkussen op de oorschelp op zijn plaats

## **FCC**

Opgelet: De gebruiker wordt erop gewezen dat wijzigingen of aanpassingen die niet uitdrukkelijk zijn goedgekeurd door de partij die verantwoordelijk is voor de naleving, de bevoegdheid van de gebruiker om de apparatuur te gebruiken kan vervallen.

Opmerking: Deze apparatuur is getest en in overeenstemming bevonden met de limieten voor een digitaal apparaat van Klasse B, conform deel 15 van de FCC-regels. Deze limieten zijn bedoeld om redelijke bescherming te bieden tegen schadelijke interferentie bij installatie in een woonomgeving. Deze apparatuur genereert en gebruikt radiofrequentie-energie en kan deze uitstralen, en kan, indien niet geïnstalleerd en gebruikt in overeenstemming met de instructies, schadelijke storing aan radiocommunicatie veroorzaken. Er is echter geen garantie dat er geen storing zal optreden in een bepaalde installatie. Als deze apparatuur schadelijke interferentie veroorzaakt aan radio- of televisieontvangst, wat kan worden vastgesteld door de apparatuur uit en weer in te schakelen, wordt de gebruiker geadviseerd om de interferentie te verhelpen door een of meer van de volgende maatregelen:

- Verstel of verplaats de ontvangende antenne.
- Vergroot de afstand tussen de apparatuur en de ontvanger.
- Sluit de apparatuur aan op een stopcontact op een ander circuit dan dat waarop de ontvanger is aangesloten.
- Raadpleeg de dealer of een ervaren radio-/ tv-monteur voor hulp.

Deze apparatuur voldoet aan de FCC-limieten voor blootstelling aan RF-straling die zijn vastgesteld voor een ongecontroleerde omgeving. Eindgebruikers moeten de specifieke bedieningsinstructies volgen om te voldoen aan de richtlijnen voor blootstelling aan RF. Deze zender mag niet op dezelfde locatie worden geplaatst of gebruikt in combinatie met een andere antenne of zender.

## **VK en Europa**

uk-eurosupport@isotunesaudio.com

## **Noord-Amerika**

support@isotunesaudio.com

1-844-396-3737

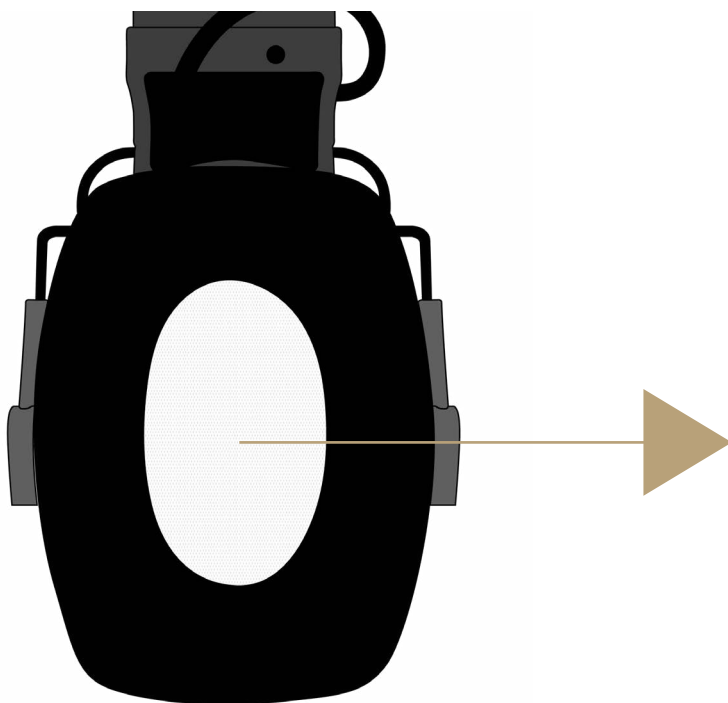
Maandag - vrijdag 9-5 ET

# Montering

Hodesettet er merket og justerbart for din bekvemmelighet.

1

Fjern den hvite skumpolstringen fra hver øreklokke.



2

Sjekk øreklokkene for høyre og venstre merke.



# Montering

Hodesettet er merket og justerbart for din bekvemmelighet.

3

Juster øreklokkene, hodebåndet og ledningene for en tettsittende, men god og behagelig passform.



4

Husk å sørge for at øreproppetikettene tilsvarer til den riktige siden og plasser den deretter på ørene





# Bruk av kontroller

1. Musikk volum opp
2. Musikk volum ned
3. TSC volum opp
4. TSC volum ned
5. Multifunksjonsknapp (MFB)
6. Bluetooth-mikrofon
7. Ladeport
8. LED-indikator for lader
9. Lås til batterideksel



# Tactical Sound Control™ -Teknologi

Dette produktet har TSC - Tactical Sound Control. Dette er en mikrofonteknologi, dette betyr at den lar brukeren høre verden rundt seg, men alltid på et sikkert lyttenivå. Når omgivelsesstøy bryter et trygt lyttenivå, reagerer mikrofonteknologien umiddelbart og dempes til et trygt nivå.

Denne funksjonen slås automatisk på når produktet slås på. Det er enkelt å justere TSC-volumet. Bare trykk på TSC Volum opp **(3)** og ned-knappen **(4)**.



# Lader

Litiumbatteripakken er ferdig installert. Husk å sørge for at batteripakkabelen er koblet til batteripakkeporten (2). Lithium-batteripakken har en ladning på 14+ timer.

1

Skyv batterideksellåsen (9) "opp" mot hodebåndet for å løsne batteridekselet.



2

Ikke glem å sørge for at batteripakkens kabel er koblet til batteripakkeporten i batteriet når du bruker litiumpakken (vær oppmerksom på at batteriet er fullstendig installert).



# Lader

Du kan bruke headsettet med den medfølgende oppladbare litiumbatteripakken. Lithium-batteripakken har en 14+ timers lading.

3

Lad med den medfølgende kabelen ved å koble den til ladeporten **(7)**.



*\*Ladespenningen bør ikke overstige 5v.*



4

Mens kabelen er koblet til ladeporten **(7)**, vil LED-ladningsindikatorerne **(8)** vise hvor ladet litiumbatteriet er.

## LED-ladningsindikatorer

-  Rød = Lader  
(Med kabelen koblet til)
-  Grønn = Fulladet  
(Med kabelen koblet til)

# Batterier

Det er også mulig å drive hodesettet med 3 AAA-batterier (ikke inkludert).  
3 AAA-batterier holder 24+ timers lading og må da byttes ut.

1

Skyv batterideksellåsen (9) "opp" mot hodebåndet for å løsne batteridekselet.



2

Fjern litiumbatteripakken og plasser de 3 AAA-batteriene. Når du bruker AAA-batterier, må du sørge for at de vender riktig vei.



# Strøm på / av

**Slå på:** Trykk og hold MFB (5) i 3 sekunder  
(du vil høre "Power On")

**Slå av:** Trykk og hold MFB (5) i 3 sekunder  
(du vil høre "Power On")

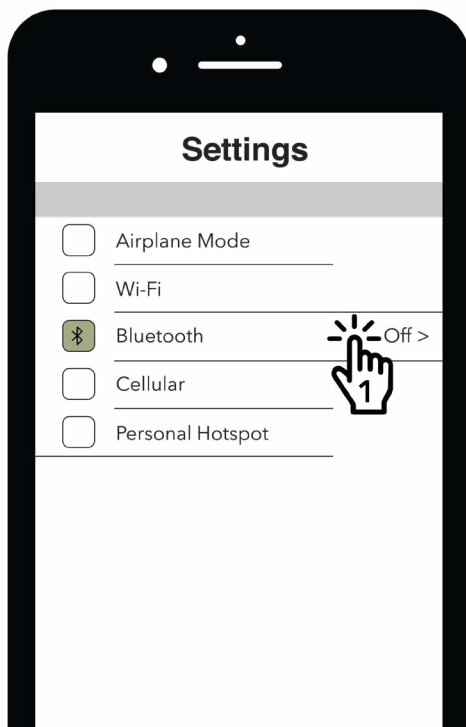


# Bluetooth-paring

Etter at hodetelefonene er slått på, går de automatisk i paringsmodus.  
(du vil høre "Bluetooth-paringsmodus")

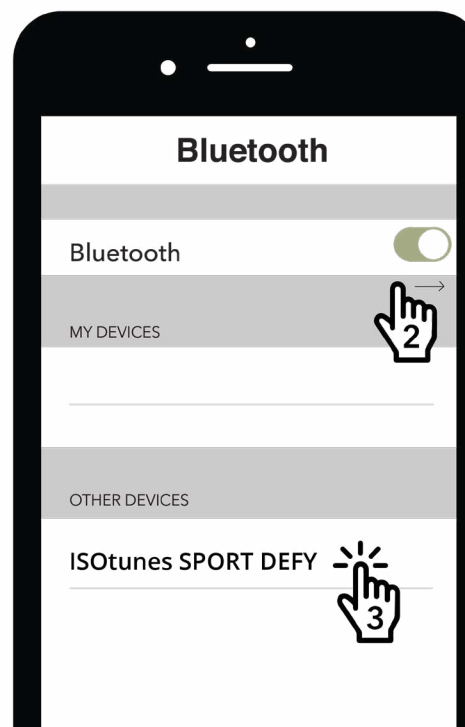
1

Åpne nå Bluetooth-innstillingene på enheten.



2

Søk etter "ISOtunes Sport DEFY."  
Par og koble til.  
Når headsettet er koblet til, vil du høre "Bluetooth Connected."



# Dobbel paringsmodus

Det er mulig å koble dette produktet til to enheter samtidig, for eksempel telefonen og datamaskinen.

1. Par og koble til din første enhet som du ser beskrevet i Bluetooth-parring. Dette vil være enhet A.

2. Trykk og hold MFB **(5)** i 7 sekunder til du hører "Bluetooth-paringsmodus" (du vil nå høre strøm av, fortsett å holde knappen til du hører "Bluetooth-paringsmodus")

3. Par og koble til den andre enheten som du ser beskrevet i Bluetooth-parring. Dette vil være enhet B.

4. På enhet A, gå nå til Bluetooth-menyen og koble manuelt til ISOtunes Sport DEFY.

5. Nå er begge enhetene koblet til.

## Tilbakestilling av parring

Trykk og hold volumet opp **(1)** og volumet ned **(2)** i 4 sekunder.

Produktet går nå i paringsmodus.



# Musikk

**Spill av / pause:** Et kort enkelt trykk MFB **(5)**

**Neste Sang:** Et dobbelt trykk på MFB **(5)**

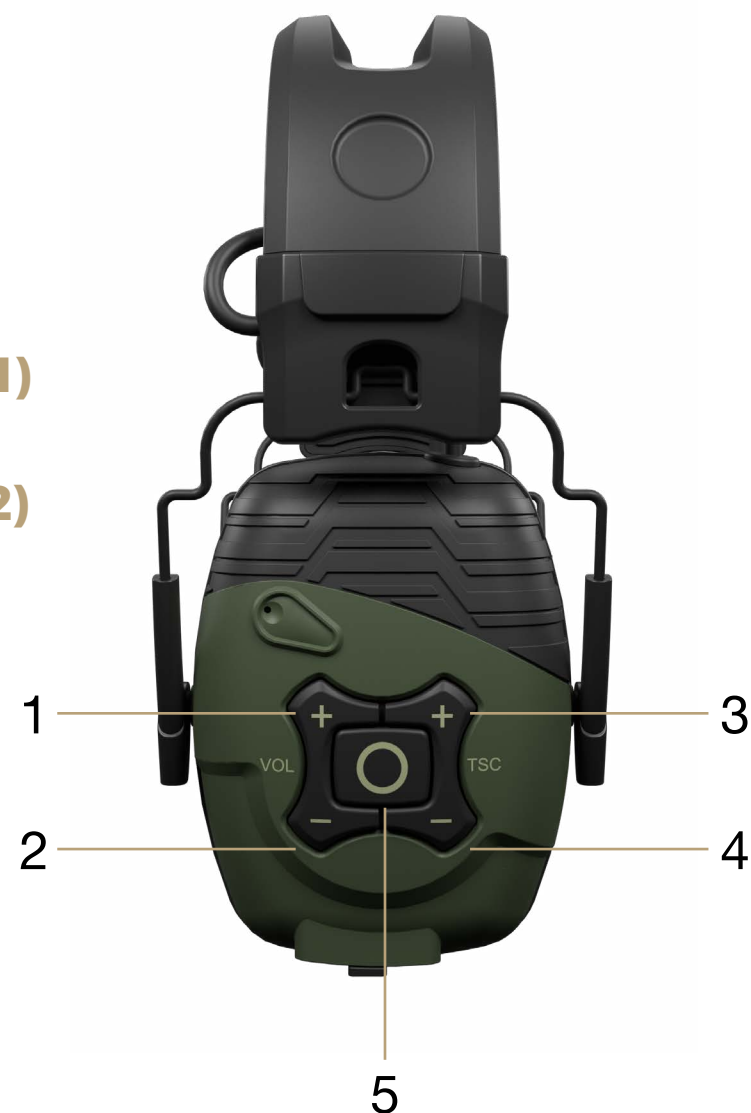
**Forrige sang:** Et tredobbelt trykk MFB **(5)**

**Musikk volum opp:** Et kort enkelt trykk Volum opp **(1)**

**Musikk volum ned:** Et kort enkelt trykk Volum ned **(2)**

**TSC volum opp:** Et kort enkelt trykk Volum opp **(3)**

**TSC volum ned:** Et kort enkelt trykk Volum ned **(4)**



# Telefonsamtaler

**Svar / avslutt samtale:** Et kort enkelt trykk på MFB (5)

**Avvis samtale:** Trykk og hold MFB (5) i 1 sekund

## Siri / Google Assistant

Trykk og hold inne MFB (5) i 1 sekund



## Montering:



### ANSI S3.19-1974 Table (NRR Table)

A1: Frequency, Hz	125	250	500	1000	2000	3150	4000	6300	8000	NRR
A2: Grand Mean Attenuation, dB	19.9	22.3	27.8	30.8	38.8	44.3	50.0	46.3	42.4	<b>25</b>
A3: Standard Deviation, dB	3.7	2.9	2.4	2.3	3.8	3.9	3.8	3.1	4.3	

### EN 352-1:2002 Table (SNR Table)

B1: Frequency (Hz)	125	250	500	1000	2000	4000	8000
B2: Mf (dB)	17.5	21.4	26.6	29.3	37.6	46.4	39.6
B3: sf (dB)	4.5	2.5	2.6	2.3	3.7	4.6	6.8
B4: APVf	13.0	18.9	24.0	27.0	33.9	41.8	32.8

B5: SNR=30dB    H=34dB    M=27dB    L=21dB    APVf=MF-SF (dB)

## Viktig

Det er viktig å lese, forstå og følge all sikkerhetsinformasjon.

Manualen er på [ISOtunes.com/DEFYManual](http://ISOtunes.com/DEFYManual).

## Montering:

1. Fjern de hvite skuminnsettene fra begge øreklokkene
2. Trekk øreklokkene fra hverandre
3. Nå kan du plassere produktet på hodet
4. Du kan justere øreklokkens stilling ved å utvide hodebåndet for å sikre en god passform rundt ørene

## Introduksjon

Takk for at du kjøpte ISOtunes® Sport DEFY Profesjonelle støy-

isolerende øreklokker. Disse øreklokkene er spesielt designet for bruk i støyende omgivelser - Dette produktet er testet og oppfyller den europeiske sikkerhetsstandarden EN 352-1: 2002 og ANSI & NIOSH-standardene for hørselsvern med SNR (Single Number Rating) på 30 dB med en støyreduksjonshastighet (NRR) på 25 dB. All testinformasjon finner du i delen for støyreduksjon i dette heftet.

## GODKJENNING AV STØYDEMPING

ISOtunes® Sport DEFY er testet og godkjent i samsvar med ANSI S3.19-1974 Spesifikasjoner og den europeiske sikkerhetsstandarden EN 352-1: 2002.

### ANSI S3.19-1974

Nivået på støy som kommer inn i en persons øre, når disse ISOtunes® Sport DEFY hodetelefoner brukes som beskrevet, er nært tilnærmet av forskjellen mellom A-vektet miljøstøynivå og Noise Reduction Rating (NRR). Feil bruk av denne enheten vil redusere dens effektivitet i å dempe støy. Se vedlagte instruksjoner for riktig montering.

A1: Frekvens (Hz)

A2: Gjennomsnittlig demping (dB)

A3: Standardavvik (dB)

Eksempel:

1. Det omgivende støynivået målt ved øret er 100 dB.
2. NRR for ISOtunes® Sport DEFY er 25 dB.
3. Støynivået som kommer inn i øret er omtrent lik 75dB

Vær oppmerksom på at NRR er basert på demping av kontinuerlig støy og ikke er en nøyaktig indikator på beskyttelsen som er oppnådd mot impulsiv støy, for eksempel skudd.

### EN 352

B1: Frekvens (Hz)

B2: Gjennomsnittlig demping (dB)

B3: standardavvik (dB)

B4: Antatt beskyttelsesverdi (APV) (dB)

B5:

H = Estimering av hørselvern for høyfrekvente lyder ( $f \geq 2000\text{Hz}$ )

M = Estimering av hørselsvern for mellomfrekvenslyder  
( $500\text{ Hz} < f < 2000\text{Hz}$ )

L = Estimering av hørselsvern for lavfrekvente lyder ( $f \leq 500\text{Hz}$ )

### **SafeMax™ Teknologi**

ISOtunes® Sport DEFY har SafeMax™ teknologi, derfor er volumutgangen begrenset til 85 desibel ISOtunes® enheter med SafeMax™. Teknologien er OSHA-, NIOSH- og ANSI-kompatibel og oppfyller den europeiske sikkerhetsstandard EN352.

### **Tactical Sound Control™ -teknologi**

Dette produktet har TSC - Tactical Sound Control. Dette er en mikrofonteknologi, dette betyr at den lar brukeren høre verden rundt seg, men alltid på et sikkert lyttenivå. Når omgivelsesstøy bryter et trygt lyttenivå, reagerer mikrofonteknologien umiddelbart og dempes til et trygt nivå.

Denne funksjonen slås automatisk på når produktet slås på. Det er enkelt å justere TSC-volumet. Bare trykk på TSC Volum opp og ned-knappen.

### **Rengjøring og vedlikehold**

- Rengjør ISOtunes Sport DEFY ved å tørke dem forsiktig av med en ren, fuktig klut med mild såpe.
- Ikke legg høreværnet i vann.
- Ikke bruk slipende rengjøringsmidler for å rengjøre høreværnet.

Hvis hørselvernet blir våt av svette eller regn, må du slutte å bruke det og slå øreklokke utover og la den tørke.

Du bør sjekke øreputer og skumforinger for forringelse, sprekker eller andre skader.

### **Materialer**

- Ørepute: PU + minneskum
- Kabinett: ABS
- Tastatur: Silisium
- Hodebånd: Rustfritt stål + TPE
- Hodebånd brakett: ABS

Produktet leveres med en litiumbatteripakke. Batteripakken kan lades ved å koble den ene enden av den medfølgende kabelen til et USB-uttak og den andre enden i produktets ladeport, det er under gummidekselet nederst på venstre øreklokke.

Du kan sjekke batteriene ved å fjerne batteridekselet. Skyv låsen for å løsne toppen.

Litiumbatteripakken kan fjernes fra produktet og byttes ut. Ta ut batteriet. Koble fra batterikabelen. For å installere det på nytt, sett batteripakken inn i rommet og koble batteripakkabelen til batteripakkeporten. Det er viktig at batterikabelen er koblet til kabelportporten for riktig produksjon.

You can also charge the device with three AAA batteries. Fjern litiumbatteripakken fra produktet og sett inn AAA-batteriene som angitt på produktet. Ikke prøv å bruke litiumbatteripakken og AAA-batteriene samtidig.

### **Automatisk avslåing**

ISOtunes® Sport DEFY vil slå seg av automatisk etter 4 timers bruk.

### **ADVARSEL**

ISOtunes® Sport DEFY gjør en utmerket jobb med å blokkere støy. Som sådan skal ISOtunes® Sport DEFY IKKE brukes i miljøer der brukerne må være fullstendig klar over omgivelsene av personlige sikkerhetsmessige årsaker. For eksempel, ikke bruk dem mens du kjører bil eller motorsykel. På samme måte, IKKE bruk dem når du sykler. Brukeren er eneansvarlig for å sikre at ISOtunes® Sport DEFY KUN brukes i trygge omgivelser.

Disse øreklokkene er ment å beskytte ørene dine mot farlig støy. Hørbarheten av advarselssignaler på en bestemt arbeidsplass kan bli svekket når du bruker underholdningsanlegget.

Dette produktet kan bli skadet av visse kjemiske stoffer, for eksempel insektspray og solkrem. Hvis du trenger ytterligere informasjon, vennligst kontakt produsenten.

Tilpasning af hygiejnebetræk til puderne kan påvirke øreklodsenes akustiske ydeevne.

### **Anbefalinger**

Brukeren bør sørge for at produktet er ordentlig rengjort og tørt før bruk. Oppbevaring skal foregå på et rent og tørt sted mellom -20 ° C og 50 ° C. Batteriet skal ikke tømmes helt før langvarig lagring.

Brukeren bør sørge for at:

- Hørselsvernet er montert, justert og vedlikeholdt i samsvar med produsentens anvisninger.
- Hørselsvernet brukes til enhver tid i støyende omgivelser.
- Hørselsvernet blir regelmessig inspisert for brukervennlighet.

Hvis disse anbefalingene ikke følges, vil beskyttelsen som høreapparatet gir, bli alvorlig svekket.

Størrelsesområdet for øreklokken er S M L.

Gjennomsnittlig masse av produktet er 405 g.

Foreldelsesdato: 3 år fra kjøpsdato.

Skal ikke brukes i eksplosive atmosfærer.

### **Tilleggsmerknader**

ISOtunes® Sport DEFY er kompatibel med Bluetooth® V4.2. Vi garanterer ikke for kompatibiliteten til alle funksjoner på alle Bluetooth®-aktiverte enheter. Sjekk enhetens brukerhåndbok for kompatibilitet og funksjonalitet.

Hørselsvernet har et lunderholdning lydanlegg. Øreklokken gir lydsignalbegrensning for lydsignal som begrenser underholdningens lydsignal til 852 dB (A) som er effektiv for øret. Denne grensen opprettholdes for Bluetooth-signalinnganger som er standard i henhold til Bluetooth A2DP-, HFP- og HSP-spesifikasjonene. Produktet har ikke en analog linjeinngang

Hvis du trenger mer informasjon om ISOtunes® Sport DEFY, kan du gå til [www.ISOtunes.com/DEFYManual](http://www.ISOtunes.com/DEFYManual). For mer informasjon eller spørsmål om ISOtunes®-produkter eller reservedeler og tilbehør, vennligst kontakt vårt supportteam.

Reservedeler: Hygienesett (øreputer og skuminnsatser) Modellnummer: IT-83

Hvordan du bytter øreputene.

1. Sett fingeren mellom øreputer og skum.
2. Trekk skumørputen vekk fra ørekoppen.
3. Fjern skuminnsatsene i ørekoppen.
4. Installer de nye skuminnsatsene
5. Fest den nye øreputen på plass på ørekoppen

### **FCC**

Forsiktig: Vær oppmerksom på at eventuelle endringer eller modifikasjoner som ikke er uttrykkelig godkjent av parten som er ansvarlig for overholdelse, kan ugyldiggjøre brukernes autoritet til å bruke utstyret.

Merk: Dette utstyret er testet og overholder grensene for en klasse B digital enhet, i henhold til del 15 av FCC-reglene. Disse grensene er utformet for å gi rimelig beskyttelse mot skadelig interferens i en boliginstallasjon. Dette utstyret genererer, bruker og kan utstråle radiofrekvensenergi, og hvis det ikke installeres og brukes på riktig måte med instruksjonene, kan det forårsake skadelig interferens i radiokommunikasjon. Det er imidlertid ingen garanti for at interferens ikke kan forekomme i en bestemt installasjon. Hvis det skjer at utstyret forårsaker skadelig forstyrrelse i radio- eller fjernsynsmottak, som kan bestemmes ved å slå utstyret av og på, oppfordres brukeren til å

prøve å korrigere forstyrrelsen ved hjelp av ett eller flere av følgende tiltak:

- Beveg mottakerantennen.
- Gjør avstanden større mellom utstyret og mottakeren.
- Koble utstyret til et stikkontakt på en annen krets enn mottakeren er koblet til.
- Kontakt forhandleren eller en erfaren radio- / TV-tekniker for å få hjelp.

Dette utstyret overholder FCCs grenseverdier for RF-stråling som er gyldige for et ukontrollert miljø. Sluttbrukere må følge den spesifikke bruksanvisningen for å tilfredsstille samsvar med RF-eksponering. Denne senderen må ikke være lokalisert eller fungere sammen med noen annen antenne eller sender.

#### **Storbritannia og Europa**

uk-eurosupport@isotunesaudio.com

#### **Nord Amerika**

support@isotunesaudio.com

1-844-396-3737 Mandag-fredag 9-5 ET